

WRITTEN PUBLIC COMMENTS SUBMITTED TO PCAST

Written Public Comments Submitted to PCAST

September 5, 2024 to October 25, 2024

As specified in the Federal Register Notice, because PCAST operates under the Federal Advisory Committee Act (FACA), all public comments and/or presentations will be treated as public documents and will be made available for public inspection, including being posted on the PCAST website.

WRITTEN PUBLIC COMMENTS SUBMITTED TO PCAST

Contents

GROUNDWATER PUBLIC COMMENTS

Section 1: Congressional Western Caucus

PATIENT SAFETY PUBLIC COMMENTS

Section 1: Darren Triller

MISCELLANEOUS PUBLIC COMMENTS

Section 1: Sergiy Kharchuk

Section 2: Sean McCleary

Section 3: Metodij Nočev, A.M.

Section 4: Beate Wagner

Section 5: Parker Willey

Section 6: Luis Eliseo Arteaga Uribe.

Section 7: Luis Eliseo Arteaga Uribe.

Section 8: Tianwei Li

Section 9: Scott Kilroy (Consolidated Emails)

Section 10: Anna Orloff (Consolidated Emails)

Section 11: Abhay Pratap Shukla



GROUNDWATER PUBLIC COMMENTS



WRITTEN PUBLIC COMMENTS SUBMITTED TO PCAST

Section 1: Congressional Western Caucus

Written: 10/1/2024

Subject: Congressional Letter – Groundwater

Please see attached letter from Congressional Western Caucus Chairman Dan Newhouse (WA-04) and his colleagues in response to PCAST's "Public Input on America's Groundwater Challenges". Please acknowledge receipt of the letter.

Regards,

Noah

Noah Yantis

Executive Director

Congressional Western Caucus

See content on following page

Congress of the United States
House of Representatives
Washington, DC 20515

October 1, 2024

The Honorable Arati Prabhakar, PhD.
Director, White House Office of Science and Technology Policy and Assistant to the President
for Science and Technology
1650 Pennsylvania Avenue, N.W.
Washington, D.C. 20502

Dr. Prabhakar:

We write in response to the President’s Council of Advisors on Science and Technology’s (PCAST) request for “Public Input on America’s Groundwater Challenges” and apparent ongoing efforts by the Biden Administration to produce a report relating to federal recommendations on groundwater.¹ Your prompt attention to this matter is appreciated.

It is not the role of the Federal government to manage or regulate groundwater. States, Tribes, and local governments have been effectively managing groundwater and water supply for decades without federal intervention. Examples of this include, but are not limited to, state and regional water plans, regulation and certification of water well drilling, and drought prevention. These non-Federal entities are the primary managers of groundwater and have deep experience in managing groundwater resources in their states and communities. A working group established by PCAST signals that President Biden and his advisors believe the Federal government should be more involved in the regulation of groundwater. As Members of Congress who represent rural and western districts, we staunchly oppose this effort to impede state, local, and Tribal regulatory authority.

Unfortunately, many impacted stakeholders and elected officials from the rural and western United States who deal directly with groundwater issues were not aware of the efforts by PCAST and the working group to examine groundwater challenges in advance of the initiative’s announcement. OSTP’s mission statement emphasizes engaging with state governments, but feedback from some rural and western states indicates a significant shortfall in actual engagement. This neglect suggests that the OSTP may be relying more on partners who align with their predetermined outcomes, rather than fostering genuine, diverse state-level collaboration.

Further, there appears to be a lack of coordination between OSTP, PCAST, and other federal agencies and departments, including the U.S. Environmental Protection Agency (EPA), the U.S. Department of the Interior (DOI), the U.S. Department of Agriculture (USDA), and others. It

¹ The White House, President’s Council of Advisors on Science and Technology, Blog Post: “PCAST Welcomes Public Input on America’s Groundwater Challenges” (April 25, 2024), *available at* <https://www.whitehouse.gov/pcast/briefing-room/2024/04/25/pcast-welcomes-public-input-on-americas-groundwater-challenges/>.

appears that many of the issues the OSTP is addressing are already being studied through the National Integrated Drought Information System, the U.S. Geological Survey (USGS), EPA's Water Reuse Action Plan, and other entities and initiatives.

PCAST's website-based announcement dated April 25, 2024, invites "written submissions from the public regarding any of the issues or questions highlighted here, or addressing complementary issues that you think PCAST should consider," which raises questions why this was not published in the Federal Register as a formal Request for Information.

With these concerns in mind, we request your responses to the questions and requests below no later than **October 22, 2024**.

- What statutory authority did Congress grant the Executive Branch to establish a working group or produce a report highlighting issues with groundwater?
- What is the cost to taxpayers to support the PCAST Groundwater Working Group, including all costs of the Tempe, Arizona in person meeting, and production of this report?
- What are the foreseeable next steps based on the findings of this report?
- Why did PCAST request "ideas" relating to groundwater challenges be sent to an eop.gov email address rather than a formal Request for Information published in the Federal Register?
- How has OSTP engaged with the Water Sub-Cabinet on this effort and related initiatives?
- Make public all comments and input received in relation to the announcement from April 25, 2024.
- Detail any OSTP or PCAST engagements related to this effort with EPA, DOIA, USDA, USGS, and any other federal agencies or entities that are involved in the management of water resources.
- Explain how this effort is not duplicative of the work of other federal agencies, departments, working groups, Federal Advisory Committees, and other entities.

Sincerely,



Dan Newhouse
Member of Congress



Jake Ellzey
Member of Congress



Michael K. Simpson
Member of Congress



Russ Fulcher
Member of Congress



Cliff Bentz
Member of Congress
Chairman, Subcommittee on
Water, Wildlife and Fisheries



Andy Biggs
Member of Congress



PATIENT SAFETY PUBLIC COMMENTS



WRITTEN PUBLIC COMMENTS SUBMITTED TO PCAST

Section 1: Darren Triller

Written: 9/30/2024

Subject: PCAST and anticoagulant safety

Good morning.

I am reaching out to you on the suggestion of Dr. Michelle Schreiber at the Centers for Medicare & Medicaid Services.

Anticoagulation Forum is the leading professional organization of anticoagulation management clinicians in North America. With the Centers for Disease Control and Prevention identifying anticoagulants as the class of medications most frequently associated with adverse drug events involving emergency department visits and hospitalization (exceeding opioids), we have developed a model for Anticoagulation Stewardship through support from the Food and Drug Administration.

More recently, we hosted a National Anticoagulation Stewardship Summit in Washington DC (see attached report) and will be hosting an ongoing Coalition of aligned stakeholder organizations.

Following up on Dr. Schreiber's suggestion to contact you, I am very interested in hearing more about PCAST and any opportunities for possible involvement or collaboration.

I'd be happy to arrange a call to discuss if you would be open to such.

Thank you for your consideration.

Darren

Darren Triller, PharmD

Director of Strategic Initiatives

See content on following page

Anticoagulation Stewardship Summit

An Inaugural Meeting of National Stakeholders

WASHINGTON, DC
JUNE 7, 2024



Anticoagulation
FORUM

Excellence in Thrombosis Care



SUMMIT PARTICIPANTS

American College of Cardiology

American College of
Clinical Pharmacy

American College of Physicians

American Heart Association

American Society of
Health-System Pharmacists

American Society of Hematology

Blue Cross Blue Shield Michigan

Geisinger Health System

Institute for Safe Medication Practices

Kaiser Permanente

National Blood Clot Alliance

National Quality Forum

Post-Acute and Long-Term
Care Medical Association

U.S. Centers for Disease Control
and Prevention

U.S. Centers for Medicare and
Medicaid Services

U.S. Department of Veterans Affairs

U.S. Food and Drug Administration

U.S. House of Representatives



The Anticoagulation Forum is a nonprofit organization of multidisciplinary health care professionals optimizing antithrombotic patient care. It strives to minimize the risk and maximize the benefit of strategies used for the prevention and treatment of thromboembolic disease.

A Public Health Crisis: By The Numbers

Rising rates of thrombosis and drug-related bleeding put patients at risk

**\$80
billion**



Spent by the health care system each year on bleeds¹⁻³ and blood clots⁴⁻⁶



8 million⁷

Americans take a blood thinner



11

Anticoagulant options exist, increasing the complexity of anticoagulation management



2x



Thrombosis and global use of blood thinners are **expected to double by 2050^{8,9}**



#1

Anticoagulants are the leading drug class **contributing to Emergency Department visits¹⁰**

Introduction

Surging rates of preventable patient harms due to thrombosis and drug-related bleeding have become a national public health crisis.

Seeking to address this situation through the advancement of the Anticoagulation Stewardship Model, Anticoagulation Forum brought together patient advocates, government health agencies, and other stakeholders for the first national Anticoagulation Stewardship Summit, held in Washington, DC on June 7, 2024.

The summit highlighted the urgent need for stewardship, exploring topics such as:

- The current state of anticoagulation management
- Ongoing stewardship efforts
- Examples of successful stewardship programs in other disease states
- Policy solutions that advance anticoagulation stewardship nationally

Patients shared firsthand accounts throughout the program, making the argument for system-level improvements even more compelling.

More than 8 million Americans currently take a blood thinner, the leading cause of adverse drug events across all health care settings.

Anticoagulation Stewardship is a multidisciplinary, holistic approach to achieving optimal health outcomes and minimizing avoidable adverse drug events. It entails seven key components:

- 1. Securing administrative leadership commitment**
- 2. Establishing professional accountability and expertise**
- 3. Engaging multidisciplinary support**
- 4. Performing data collection, tracking, and analysis**
- 5. Implementing systematic care**
- 6. Facilitating transitions of care**
- 7. Advancing education, comprehension, and competency**



Conclusion

Millions of Americans suffer and die from blood clots. But anticoagulation stewardship provides a framework for improving systems of care and saving lives.

The Summit marked a pivotal step toward establishing a comprehensive, multidisciplinary approach to improving patient outcomes and minimizing adverse events related to the prevention and treatment of thrombosis.

“We can figure out how to do this together” said Anticoagulation Forum’s President, Allison Burnett, PharmD.

Key Takeaways from Summit

Summit participants aligned on key themes and the need for specific next steps to improve patient care.



Increased Awareness



Legislative Change



Regulatory Change



Quality Measurement



Multi-stakeholder Involvement



Generation of Publications



Promotion of Research



Demonstration of Value



Establish Anticoagulation Stewardship Coalition

References

1. Geller AI, Shehab N, Lovegrove MC, Weidle NJ, Budnitz DS. Bleeding related to oral anticoagulants: Trends in US emergency department visits, 2016-2020. *Thromb Res*. May 2023;225:110-115. doi:10.1016/j.thromres.2023.03.010
2. Amin A, Bruno A, Trocio J, Lin J, Lingohr-Smith M. Incremental Health Care Burden of Bleeding Among Patients with Venous Thromboembolism in the United States. *J Manag Care Spec Pharm*. Oct 2015;21(10):965-72. doi:10.18553/jmcp.2015.21.10.965
3. Deitelzweig SB, Lovelace B, Christoph M, Lingohr-Smith M, Lin J, Fermann GJ. Evaluation of the Incremental Healthcare Economic Burden of Patients with Atrial Fibrillation Treated with Direct-Acting Oral Anticoagulants and Hospitalized for Major Bleeds in the USA. *Adv Ther*. Sep 2020;37(9):3942-3953. doi:10.1007/s12325-020-01440-9
4. Grosse SD, Nelson RE, Nyarko KA, Richardson LC, Raskob GE. The economic burden of incident venous thromboembolism in the United States: A review of estimated attributable healthcare costs. *Thromb Res*. Jan 2016;137:3-10. doi:10.1016/j.thromres.2015.11.033
5. Renedo D, Acosta JN, Leasure AC, et al. Burden of Ischemic and Hemorrhagic Stroke Across the US From 1990 to 2019. *JAMA Neurol*. Mar 4 2024;81(4):394-404. doi:10.1001/jamaneurol.2024.0190
6. Go AS, Mozaffarian D, Roger VL, et al. Heart disease and stroke statistics--2014 update: a report from the American Heart Association. *Circulation*. Jan 21 2014;129(3):e28-e292. doi:10.1161/01.cir.0000441139.02102.80
7. National Blood Clot Association. Accessed August 12, 2024, <https://www.stoptheclot.org/living-your-best-life-while-taking-blood-thinners/>
8. Deitelzweig SB, Johnson BH, Lin J, Schulman KL. Prevalence of clinical venous thromboembolism in the USA: current trends and future projections. *Am J Hematol*. Feb 2011;86(2):217-20. doi:10.1002/ajh.21917
9. Kornej J, Börschel CS, Benjamin EJ, Schnabel RB. Epidemiology of Atrial Fibrillation in the 21st Century: Novel Methods and New Insights. *Circ Res*. Jun 19 2020;127(1):4-20. doi:10.1161/circresaha.120.316340
10. Budnitz DS, Shehab N, Lovegrove MC, Geller AI, Lind JN, Pollock DA. US Emergency Department Visits Attributed to Medication Harms, 2017-2019. *JAMA*. Oct 5 2021;326(13):1299-1309. doi:10.1001/jama.2021.13844





Anticoagulation FORUM

Excellence in Thrombosis Care

To learn more about Anticoagulation Stewardship,
contact us at info@acforum.org
or visit www.acforum.org





MISCELLANEOUS PUBLIC COMMENTS



WRITTEN PUBLIC COMMENTS SUBMITTED TO PCAST

Section 1: Sergiy Kharchuk

Written: 9/5/2024

Subject: Amplifying Voices: My Struggle for a Fair Academic System

Urgent Call for Global Leadership: Education Crisis in Ukraine Needs Your Voice!

Hello! I'm Serhii Kharchuk from Zhytomyr Polytechnic State University, currently caught in a struggle that goes beyond my personal academic journey. My compelling appeal, "Battling for a Better Future," dives deep into severe administrative barriers that threaten not just my future but expose the crumbling foundations of Ukraine's higher education system.

This is not just my battle—it's a glaring spotlight on systemic failures that risk crushing the dreams of countless Ukrainian youth, those poised to rebuild and revitalize our nation in the wake of conflict and toward European integration. We are at a critical juncture where bureaucratic overreach is not just a hurdle, but a blockade forcing many to consider abandoning their homeland.

I call upon thinkers, leaders, and influencers around the world: Recognize this plight and act swiftly. The outdated and misapplied policies stripping away our rights to education must be reformed. This isn't just about adherence to Ukrainian and international legal standards—it's about securing the future intellectual and professional backbone of our country.

Your voice is powerful. Engage with us, share our story, and help advocate for reforms that will protect the educational rights and futures of Ukrainian students.

Be a part of this crucial change. Read, reflect, and become an advocate. Together, we can forge a just educational system and a brighter future for Ukraine.

Your action can ignite the change we desperately need. Stand with us.

See content on following page

To the Attention of world leaders

Serhii Kharchuk

Email: Stronciy16@gmail.com

LinkedIn: <https://www.linkedin.com/in/serhii-kharchuk/>

APPEAL

To the Esteemed Members of the World leaders,

Good day. I address you today burdened with a concern that not only weighs heavily on me but also reflects the broader agony experienced by the Ukrainian people and future generations.

In 2022, like many others, I was deeply shocked by the aggressive actions taken by our eastern neighbors. Due to my health conditions diagnosed 17 years ago, I was declared wholly unfit for military service. This diagnosis was reconfirmed in 2022, and thus, I remain exempt from any military duties, as there is no legal requirement for those previously dismissed from military registration to re-enlist according to both existing and newly amended laws.

Faced with my inability to physically defend my homeland, I decided that I could best contribute to Ukraine's rebuilding efforts post-war. Particularly since, back in 2006, as a student at the State University of Zhytomyr Polytechnic (formerly Zhytomyr State Technical University), I had to leave my studies in Mine Surveying due to family circumstances before I could complete my degree.

A Mine Surveyor, or a geodesy engineer, is essential for conducting land management tasks, determining suitable construction sites, and the exploration and extraction of mineral resources—skills critically important for Ukraine during its period of reconstruction and European integration.

Upon re-enrolling in the university on a contract basis, my attendance and academic performance have been consistently above average. I have been an active participant in seminars, including those with international partners, where I have demonstrated considerable knowledge and an innovative approach to specialized subject matters. This led to my initial transfer to a state-funded education program and subsequently, the award of a scholarship. Currently, pending approval, I am due to complete my third year. Unfortunately, it appears that Ukraine might not value the specialists needed for its future reconstruction.

Perhaps the president himself should openly address this issue to the people, suggesting that we are not preparing for victory, living as if tomorrow may never come, and questioning the necessity of having professionals to rebuild the country. If that were the case, I would then understand that it is time for me and my children to leave Ukraine. Why do I say this? Because the university administration has begun to unlawfully create conditions to prevent my continued education.

The rector has issued orders requiring me to appear at the military enlistment center and register for military service, even though I am not obliged to do so, having received no draft notice. I understand there is a certain policy in this matter within the country, but it does not pertain to me for two reasons:

my right to education was established not recently but back in 2005 when I first enrolled at the university. I did not enroll recently but reinstated my studies, so my rights cannot be retroactively revoked. I have fulfilled all the conditions for enrollment set in 2005, as well as for reinstatement in 2022, providing all required documents at those times. I live in accordance with the educational laws effective at the time these legal relations arose, established in 2005. I am not a military conscript, having been removed from the registry.

This appeal to you, distinguished members, is a plea for recognition, justice, and support as I strive to use my education not only to advance my personal future but also to contribute effectively to the rebuilding and progress of Ukraine.

Yet, despite my compliance and academic diligence, conditions are being artificially created to prevent me from obtaining an education and to push me to leave Ukraine. The latest order from the rector, which is used to justify these unlawful demands, cites a reduction in the military conscription age from 27 to 25 years. The rector has "commanded" me to register at the military enlistment office, even though I am not obligated to do so, as this change does not apply to my age group. This directive clearly does not pertain to the educational process and represents a blatant overreach of authority.

I attend classes systematically, as much as personal and current circumstances allow, with attendance well above average. I fulfill the contract's requirements and duties as a student, in accordance with legal norms and academic integrity, and have promptly cleared any academic discrepancies that were grounds for my previous withdrawal in 2006. I have met all necessary requirements for reinstatement, and since being reinstated to my second year, I have timely followed the individual educational plan.

It should be noted that if a student has been reinstated and has already provided certain documents at the initial admission, it is generally not necessary to request the same documents again. The reinstatement process focuses on verifying the student's compliance with the requirements and academic progress, not on repeating the initial admission requirements, especially not on demanding a new document that was not stipulated at the time of admission.

The demand for new documents, which do not directly relate to the student's performance or ability to study, can be seen as arbitrary and unjustified. According to the Law of Ukraine "On Higher Education," universities must ensure equal access to education for all students, and any restrictions of this right must be justified and proportional.

Furthermore, the material and technical base of the university must meet the accreditation level and provide students the opportunity to acquire knowledge and skills as per the educational program requirements, rather than impeding the fulfillment of these requirements on grounds unrelated to the execution of the individual plan or the terms of the contract.

From a legal perspective, the situation is as follows: According to the Constitution of Ukraine (Article 53), everyone has the right to education. The state ensures the availability and free access to higher education in state and municipal educational institutions. Laws and other legal acts do not have retroactive effects, except in cases where they alleviate or abolish a person's liability (Article 58 of the Constitution). Thus, the admission requirements that were in effect in 2005 should apply to the student, not new ones. According to the Law of Ukraine "On Higher Education" (Article 46), a person who has been dismissed from a higher education institution before completing their studies has the right to be

reinstated within the licensed volume. The reinstatement is to be carried out in the same or a related specialty from which the student was previously dismissed. The rector's demand for new documents contradicts current legislation as it fails to consider the specific status of a student who enrolled in 2005. Such demands should only apply to new entrants. Dismissing a student for failing to provide some additional documents would be illegal, considering all requirements for admission in 2005 were met, as well as the requirements for reinstatement to the second year in 2022. The student was reinstated, and the conditions and rights that applied in 2005, as well as those explicitly provided by the new contract, primarily govern him. Such dismissal would violate the right to education and be improper. The university, the Verkhovna Rada of Ukraine, and the Ministry of Education cannot change the rules or rights and obligations of a student retroactively.

The actions of the university in demanding that I, a student who first enrolled in 2005 and resumed my studies in 2022, provide additional or repeated documentation may infringe upon a multitude of norms under both national and international law. These demands, if applied under circumstances where such requirements were either non-existent in 2005 or were already fulfilled at the time of my initial enrollment, must be scrutinized more closely:

Constitution of Ukraine:

- **Article 53:** Ensures the right to education, the availability, and cost-free nature of higher education.
- **Article 58:** Laws and other legal acts do not operate retrospectively, except in cases where they mitigate or abolish responsibility.
- **Article 22:** Rights and freedoms of the individual, enshrined by the Constitution, cannot be canceled or restricted.
- **Article 64:** Constitutional rights and freedoms of individuals cannot be limited.

Law of Ukraine "On Higher Education":

- **Article 4:** Guarantees the right to higher education and equal access to it.
- **Article 46:** Provides the right to reinstatement in an educational institution.

Law of Ukraine "On Education":

- **Article 3:** States the right to education and non-discrimination in the educational sphere.
- **Article 53:** Defines the rights and duties of educational seekers.

European Convention on Human Rights:

- **Article 14:** Prohibits discrimination.
- **Protocol No.1, Article 2:** Establishes the right to education.

Universal Declaration of Human Rights:

- **Article 26:** Affirms the right to education.

International Covenant on Economic, Social, and Cultural Rights:

- **Article 13:** States the right to education.

In the context of international norms regarding the retroactive application of laws and the narrowing of rights, key provisions can be found in the following documents:

International Covenant on Civil and Political Rights (ICCPR):

- **Article 15** states that no one shall be found guilty of any criminal offense on account of any act or omission which did not constitute a criminal offense, under national or international law, at the time it was committed. Moreover, a law that later ameliorates the punishment is applicable retroactively.

European Convention on Human Rights (ECHR):

- **Article 7** also specifies that no one shall be convicted of any act which did not constitute a criminal offense at the time of its commission. This also applies to the application of laws that may restrict rights or freedoms of individuals without a legal basis at the time of the act.

These articles, while primarily focused on criminal law, demonstrate the principles of non-retroactivity and the inevitability of law's effect, which are broadly applied across many facets of law, including administrative and civil law. Thus, any demand for additional documents, if not required at the time of the original enrollment or if those conditions were already satisfied, is not only baseless but also potentially an infringement of established legal rights. These actions by the university can be seen as a direct violation of both the spirit and the letter of multiple legal frameworks, designed to protect the rights and educational opportunities of every student within the legal jurisdiction of Ukraine and under the protective gaze of international law.

Consequently, the university's demands for additional documents, when all necessary papers were already provided in accordance with the laws of 2005, threaten to breach the student's fundamental rights. These include the right to education, prohibition of discrimination, right to life and health, and the freedom of choice. Applying new rules to someone who enrolled earlier manifests as retroactive law enforcement and an unwarranted narrowing of existing rights, clashing with the core principles of law. The university is obliged to respect the rights of the student and must not fabricate obstacles to continuing education. Should these rights be violated, the student is entitled to defend them in court through legally established procedures. Moreover, such violations could detrimentally impact the university's reputation both within Ukraine and internationally, considering certain circumstances, or even tarnish Ukraine's global standing regarding adherence to its legal norms, Constitution, and fundamental human rights according to both national and international legislation.

It is crucial to note that upon reinstatement in the same specialty, there is no basis to require documents typically necessary at entry (such as entrance exam certificates, high school diploma, etc.), since the person was already legally enrolled as a student previously. Additionally, it is unlawful to demand documents not stipulated at the time of entry in 2005 or those already provided that year. The enrollment

order was issued; the student suspended their studies in 2006 but later fulfilled all conditions for reinstatement in 2022 and was officially reinstated.

Regarding the grounds for dismissal from the university, they can include:

- At one's own request (Article 46 of the Law on Higher Education)—I am eager to continue my studies and am doing so.
- Failure to fulfill the individual study plan (Article 46 of the Law on Higher Education), noting that under Article 63 of the Law on Higher Education, failing the plan or missing classes does not constitute grounds for dismissal unless the student neglects the rights provided to justify, fulfill the study plan, and continues actions aimed at non-compliance with the individual study plan (attendance above average, timely completion of all program requirements post-reinstatement, transfer from contract to state-funded status, scholarship awarding—all clearly indicate compliance with the individual study plan). My class attendance exceeds 50%, significantly higher than the average attendance at the university, particularly in conditions of war, many studying abroad, and the simultaneous continuation of face-to-face education on campus despite the remote execution of classes from the third year onward (select disciplines excluded) and the COVID-19 pandemic.
- For violating the terms of the contract (Article 46 of the Law on Higher Education)—I fulfill all contract terms.
- For academic dishonesty (Article 42 of the Law on Education)—All assignments have been personally completed and submitted by me.
- For committing illegal actions (Article 46 of the Law on Higher Education)—I am a law-abiding citizen.
- In the event of death (Article 46 of the Law on Higher Education)—I am not planning on dying anytime soon! Although my health is not the best, having been declared unfit for service and removed from the military register back in 2004-2006, it has not improved, but I have two children to support, one of whom requires constant care and supervision, and a six-year-old child whose upbringing my working wife cannot manage alone without assistance; thus, life must go on!

From the perspective of state and legal theory, the principle that laws should not operate retrospectively, nor should they restrict human rights, forms a fundamental cornerstone of a lawful state. These principles have deep historical roots, originating from the times of Ancient Greece and Rome.

In **Ancient Greece**, the philosopher Aristotle in his work "Nicomachean Ethics" highlighted that laws should be general and forward-looking, not designed for specific instances. This perspective ensures that laws serve the broader public interest rather than transient whims or particular cases.

In **Ancient Rome**, the legal principle "Lex prospicit, non respicit" (The law looks forward, not backward) was established, emphasizing that laws should not have retrospective effects and should apply only to situations that arise after their enactment. Additionally, the Roman principle "Lex posterior derogat priori" (A later law repeals an earlier one) dictates that a new law supersedes a previous one only if they regulate the same matters.

Modern legal and state theory further refines these concepts:

- The **principle of legal certainty**, a component of the rule of law, mandates that legal norms be clear, unambiguous, and precise, enabling individuals to foresee and comply with them.
- The principle "Nullum crimen, nulla poena sine lege" (No crime, no punishment without law) ensures that an individual cannot be held accountable for actions that were not criminal offenses under the law at the time they were committed.
- The principle that laws should not operate retrospectively is enshrined in many modern constitutions and international documents, such as Article 58 of the Constitution of Ukraine and Article 7 of the European Convention on Human Rights.

These principles are not just relics of legal history but are vitally relevant in contemporary legal and state theory. They provide crucial guarantees of legal security and stability, and their violation could serve as grounds for declaring certain laws or actions illegitimate.

You might refer to legal acts and amendments adopted after 2005 or those introduced since 2022, but it is essential to consider their legality and consistency with the Constitution of Ukraine, national, and international law. The historical and ongoing application of these foundational legal principles underscores their critical importance in safeguarding rights and ensuring that legal changes do not unjustly affect those subject to the law.

Considering the above, national legislation, the Constitution of Ukraine, international legal norms, and the principles of state and legal theory, I contend: The university's demands for additional documents that were not stipulated by law at the time of my enrollment are unlawful. These actions infringe upon my right to education and are discriminatory, as they unlawfully dictate terms or attempt to retract rights based on new requirements or amendments, violating the foundational principles of law, both nationally and internationally.

Thus, instead of fostering an educational process and preparing qualified specialists, the university's rector is overstepping boundaries in pursuit of personal accolades. As for me, being medically disqualified from military duty 17 years ago, not undergoing any military training, and not receiving any military ranking, I am not required by either old or new laws to register for military service due to my health status.

I request your assistance in addressing these issues or provide a direct answer about whether we are truly planning for a future in Ukraine. If not, it may be time to consider planning a future elsewhere.

REQUESTS:

- **Assist in stopping these unlawful actions by the university.**
- **Ensure my rights are upheld according to Ukrainian legislation and international norms.**
- **Provide clarifications on European norms concerning this situation.**
- **I urge the World leaders to monitor the situation closely, particularly how individuals seeking help are treated.**

- **Conduct an independent investigation or send monitoring missions to assess the state of human rights in the country, especially the rights of students.**
- **I seek political protection and support from the European government due to potential persecution related to my appeal.**
- **Help disseminate information about this situation through your channels and media to increase international pressure on the government regarding the violations of students' rights in Ukraine.**
- **Maintain the confidentiality of personal data and information about this appeal to avoid possible persecution.**
- **Assist in organizing safe relocation and providing asylum since I might be forced to emigrate due to persecution, granting immunity and the right to cross the Ukrainian border unhindered. Ukraine typically does not allow male citizens aged 18-60 to leave the country, except in rare cases.**

I reach out not just as a student facing a challenge but as a citizen eager to improve the future of my country. Your attention and assistance can significantly impact the protection of educational rights in Ukraine.

With all due respect,

Serhii Kharchuk

17.05.2024

A stylized, handwritten signature in black ink, appearing to be the letter 'X' with decorative flourishes.

Signature

WRITTEN PUBLIC COMMENTS SUBMITTED TO PCAST

Section 2: Sean McCleary

Written: 9/6/2024

Subject: Attn: PCAST Members. Apocalyptic information associated with the Bible and religion. This information is associated with the Paradigm Shift and a new development in evolution with Earth. I appreciate your consideration very much. Sean McCleary

Hello PCAST Members,

I've been working on a process called the Paradigm Shift which represents a complete change in scientific discipline. I've also been working on a process called the Shift in Consciousness which involves Earth going through a completely new development in evolution which is going to affect life here globally in a very powerful and miraculous way. The information below is of an apocalyptic nature because a very powerful revealing of the truth is going to begin occurring with an advancement in the existence and evolution of consciousness here. If you have a few minutes to review the material below I think you'll understand what I mean by the term "apocalyptic".

Thank you,

Sean.

Apocalyptic Information Associated with the Bible and Religion With the Evolution of Consciousness.

By: Sean McCleary.

What I'm about to explain in this article is information that's of an apocalyptic nature. This means a revealing or unveiling of information that could not be known apart from the unveiling itself. With my work I'm not being grandiose or presumptuous, I'm telling the truth. I informed the Whitehouse, the CIA, the Pentagon and many others back in the Fall of 2011 that something very powerful happened to me and it had to do with the opening, evolution and advancement of my pineal gland. My consciousness has been evolving and advancing with the preliminary stages of the Shift in Consciousness in almost 13 years now. What's happening with me is going to affect the entire population of humanity soon.

Religion and the Bible have existed here amongst the human race for reasons that are going to be disclosed, revealed and inherited by the entire human race soon. The reason is eternal truth is going to begin evolving and advancing into the human race with eternal life, eternal love and eternal peace very soon. The locations of the Whirlpool galaxy which is commonly referred to as Heaven, the Milky Way galaxy and Earth are establishing a complete connection with one another through the body of galaxies. This is happening because both elements of life and death are evolving into one another with a very powerful advancement of the concentration of activity contained within the Higgs field.

WRITTEN PUBLIC COMMENTS SUBMITTED TO PCAST

The Higgs field permeates throughout the body of galaxies and contains the foundation for eternal life and eternal love. We also exist within an enormous female life form who's been described as "the universe" or "Universal Consciousness". The element of consciousness exists everywhere and represents the fabric of space-time and the scientific community doesn't know this yet. This is what the Paradigm Shift is all about. The Paradigm Shift means that a revolutionary change in scientific discipline is going to happen. But, the scientific community is going to go through a crisis stage first because Earth's consciousness is about to begin having a very powerful spiritual awakening and it's going to affect the atmosphere. The human race is going to begin seeing very powerful changes globally because of the connection being established between Heaven and Earth.

The Shift in Consciousness is the primary reason that the Bible and religion have existed the way they have in human beings and human consciousness for a long time. This was to assist with the evolutionary advancement of the fabric of space-time and the evolution of subatomic, atomic and molecular activity. The fabric of space-time consists of different frequency vibrations of consciousness, energy and thought because we exist within a life form who contains consciousness everywhere and who is very self aware. Because the frequency vibrations contain different charges of energy; when they evolve into one another and interact with one another it produces different degrees of pressure within the vibrations. The pressure is responsible for expansion, acceleration and growth.

This is how subatomic particles evolve into the body of galaxies and how life evolved into existence. The reason that people and science haven't been able to see or detect this activity yet is because of the resistance to evolution contained within living organisms here globally. A very powerful experience of separation from the truth and an illusion of separation has been contained within human beings and other life forms here. I'll explain what I mean by this activity. Within the frequency vibrations of consciousness, energy and thought with the fabric of space-time and different degrees of pressure there's evolutionary advancement moving forward and there's also been very powerful resistance to evolution.

The resistance to evolution comes from some pressure within the fabric of space-time and the evolution of consciousness that has a difficult time receiving eternal love from the Higgs field. If pressure becomes very restricted or too expansive due to uncertainty within the evolution of consciousness then eternal love from the Higgs field hasn't been able to evolve appropriately into these types of pressure. Consciousness also stores information and information processes through pressure as well. This is what generates an illusion of separation in consciousness.

The origin for the existence and experience of the illusion of separation in consciousness comes from the concept of non-existence in consciousness. This happened with the birth of Mother's body and consciousness (universal) and what happened with the big bang. When Mother was born what happened

WRITTEN PUBLIC COMMENTS SUBMITTED TO PCAST

was matter was being introduced into the existence and evolution of consciousness, eternal life and eternal love for the very first time. There was eternal life and eternal love evolving and being established with birth and the evolution of the Higgs field when the big bang happened. The big bang was a moment when a very powerful level of fusion took place so nuclear energy and the creation of the element of fire was being introduced into the evolution of consciousness, matter, energy, pressure and eternal love in space-time.

Also, because Mother as a life form was establishing an individual identity for the very first time some consciousness felt like a permanent separation from eternal life and eternal love was happening. This came from a powerful restriction in pressure within the process of birth that affected the fabric of space-time and the evolution of matter for the very first time. The energy of eternal love contained within the Higgs field had a very difficult time evolving into this type of pressure and this affected the evolution of matter as well. I suspect that antimatter came from the resistance to the evolution of matter.

This information is all indicative of the Bible and religion existing here in human beings and human consciousness. Let me explain something about the experience of separation in consciousness and the separation from the truth here. This profoundly affected the evolution of matter and the evolution of life here. The human race doesn't yet understand the origin of the creation of life or what happens with the experience of death and evolution of consciousness into the Whirlpool galaxy. Every living organism in Earth's environment who goes through the experience of death evolves into the Whirlpool galaxy and it couldn't be any other way. A place of Hell couldn't exist and that's easy to understand. The concept of a burning and fiery eternal Hell comes has been discussed in religion and believed by a lot of people.

This was supposed to happen here and I'll explain why. Mother's body and consciousness exists within a much larger form of consciousness, energy, eternal life and eternal love I refer to as "Eternal Consciousness". Previously there were only different frequency vibrations of consciousness, energy and thought that contained the source of eternal life and eternal love. When Mother was born into the existence of Eternal Consciousness what happened was the first new development of life and the evolution of matter happened for the very first time.

The most beautiful and powerful activity occurred with her birth; but there was also tremendous pain and suffering in some of her consciousness in the beginning stages which has been represented as the resistance to evolution. When the big bang happened subatomic particles evolved out of the frequency vibrations of consciousness, energy and thought for the very first time. There was an experience of separation from this process. Eternal love from the development and evolution of the Higgs field evolved into subatomic, atomic and molecular activity.

WRITTEN PUBLIC COMMENTS SUBMITTED TO PCAST

But, there was also resistance to evolution from the pain of birth and experience of separation that also transferred into the evolution of matter. All of this activity is exemplified in birth happening globally here. Earth is located very close to the origin of where Mother was born and where the big bang happened. Earth was supposed to exist here to assist with a new development in evolution and so all of the resistance to evolution could process out of the entire body of galaxies. This is and will be what the term "Shift" means.

Eternal Consciousness supports the existence and evolution of Mother's body and consciousness. Mother's body and consciousness supports the existence and evolution of Earth as a life form who contains the existence and evolution of consciousness. Earth supports the evolution of life in the environment. The reason that human beings and other life forms here don't know this intimately yet is because of the resistance to evolution in living organisms and the concept of non-existence being contained within life here.

Heaven is visualized and does exist as a place with eternal life, eternal love, eternal peace and eternal truth. This is correct and all of the life forms from Earth up there are in a very powerful and peaceful state of existence. If say 50 or 60 percent of the human population in Heaven knew that there was a place of a burning fiery tortuous eternal Hell, then human beings in Heaven would experience great sorrow, grief and disappointment that the principle of forgiveness which is already utilized by human beings here couldn't be expressed by the Holy Trinity. This would cause a very powerful separation in consciousness. Heaven couldn't be Heaven if Hell existed.

What's been happening since Earth evolved into the Milky Way galaxy is the evolution of consciousness, matter, energy, pressure, eternal love, evolution and resistance to evolution have been evolving upwards through Earth's consciousness and through world consciousness and the activity of life. The Holy Trinity consists of eternal life, eternal love, eternal peace and eternal truth. They've all had their consciousness incorporated into the Higgs field and Earth for a very long time. Because people don't understand what happens with the experience of death and evolution of consciousness into the Whirlpool galaxy; a lot of people think that death represents the end of the life cycle completely. It's in movies and TV shows all the time. A lot of people see death as being a state of eternal darkness and this represents the concept of non-existence.

Because living organisms here don't understand the process of death this means that the concept of non-existence is contained within world consciousness, Earth's consciousness and the activity of life. This is the primary reason for the illusion of separation and the separation from the truth. How many people right now do you think are lying to one another in any form globally? This is the separation from the truth being represented in the human race. This experience of separation or resistance to evolution causes the

WRITTEN PUBLIC COMMENTS SUBMITTED TO PCAST

Higgs field to repel away from the physical bodies of human beings and other life forms. The Holy Trinity represents eternal truth and their consciousness has been evolving here with life for a very long time.

Some of the human race believing in Hell and most of the human race having this information in their bodies and consciousness have been helping the resistance to evolution associated with the creation of nuclear energy and the element of fire that occurred with the big bang. This is why nuclear weapons have been tested and stored here in Earth's environment with humans. Some consciousness didn't understand what was happening with the process and went through an incredible amount of pain due to the separation from the truth. A place of Hell is the separation from the truth so human beings have been driving the evolution of consciousness directly into this resistance. Because the basis of the literature in the Bible is associated with the Holy Trinity, what's been happening is human beings have been helping the Holy Trinity's consciousness also evolved directly into this resistance as well.

The Bible was written exactly the way it was supposed to be written to help with the evolution of consciousness and eternal love and to also assist with helping the resistance to evolution and experience of separation from the truth evolve. The human race with religion and the Bible have been driving the Holy Trinity's consciousness, eternal life, eternal love, eternal peace and eternal truth directly into the resistance to evolution and the experience of separation that occurred with matter out of the frequency vibrations of consciousness, energy and thought.

Anything written in the Bible about God, Jesus and the Holy Spirit that's associated with Heaven, peace, eternal life, eternal love, eternal truth, forgiveness, salvation, friendship, kindness, family, spiritual principles etc. has been helping the Holy Trinity's consciousness and eternal love with the Higgs field evolved and advance into Earth's body and consciousness and Mother's body and consciousness. Anything written in the Bible about the Holy Trinity that's associated with anger, punishment, resentment, destruction, pain, suffering etc has to do with helping the resistance to the evolution of consciousness, matter, energy, pressure and eternal love evolve and change.

All of those aspects of consciousness I mentioned above all come from the separation from the truth. People who practice religion and believe in the Bible have been driving the Holy Trinity's consciousness and eternal love with the Higgs field directly into the evolution of consciousness and the resistance to evolution as well. The Bible had to contain the truth with the first aspects I mentioned and also contain the experience of separation from the truth as well. Jesus was not crucified, this couldn't have happened to him like that it's impossible. I can explain this with my work as well and soon the world will experience great relief knowing that this didn't happen to him.

WRITTEN PUBLIC COMMENTS SUBMITTED TO PCAST

The entire time that the Bible and religion have been practiced here and other people containing this information as well; the Holy Trinity's consciousness and eternal love have been evolving here the way it needed to happen with the advancement of activity contained within the Higgs field. The origin of resistance to evolution that happened with the birth of Mother's body and consciousness and the big bang has been evolving out of this region of the body of galaxies and Earth's consciousness as well.

The original experience of separation that occurred with the evolution of matter and life has to come out of the body of galaxies and Earth and life here have been helping with this process. This is why everything is going to begin shifting completely into a much different reality. This is why people on a global level have been saying "thy kingdom come thy will be done on Earth as it is in Heaven" over and over again for years in the Lord's Prayer. There isn't going to be some final destruction of life here, that cannot happen. There's going to be great comfort and relief here soon because as written in the Book of John the Holy Spirit and Spirit of Truth is evolving here right now. He's going to be introducing the Shift in Consciousness into the population of life here. I have a lot of very powerful and valuable information to share with people, and soon what I know and what I've experienced is going to change this world completely.

Sean McCleary.

WRITTEN PUBLIC COMMENTS SUBMITTED TO PCAST

Section 3: Metodij Nočev, A.M.

Written: 9/10/2024

Subject: Possible capitulation/surrender of the Czech police before the Balkan narco cartel and the Macedonian political mafia

As I already mentioned in 2021 (see below a note on the info at that time) regarding the scandals surrounding the then Macedonian ambassador in Prague, Mr. Sashko Todorovski and his wife, after two years it turned out that I was right, i.e. the Macedonian ambassador to the Czech Republic, Mr. Saško Todorovski was removed from his diplomatic post due to new, international scandals concerning his scandalous activities and the activities of his wife. The new candidate for the Ambassador post in Prague is Mr. Emil Krstevski, who previously worked in the Yugoslav press agency Tanjug, also he was a journalist for foreign-political news at the largest Macedonian newspaper Nova Makedonija (where the editor-in-chief was the infamous Pande Kolemiševski, about whom even during the socialism were rumours that he was probably a high-ranking functionary of the communist Yugoslav secret service UDBA), while Emil Krstevski became famous in the scandals that are listed below (ie the links to the journalistic texts published regarding the scandals surrounding Mr. Emil Krstevskiie .after 33 years of "democracy" in North Macedonia, absolutely nothing has changed, because it is enough to ask anyone in Macedonia who knows a little about politics, and they will tell you that in the famous Tanjug and then also at Pande Kolemiševski there were journalists who probably and possibly had a badge of the secret service....and we are back to what I have been complaining about all the time, i.e. probable pro-Serbian and pro-Russian elements are getting everything they wish and there are no real changes...

Otherwise, the news is that by a well-known Macedonian businessman, millionaire and real-estate developer, Mr. Boris Karanfilov (his sister created the design for the most famous and most expensive Macedonian development project – Skopje 2014) I was informed (by phone, from his mobile number - via a well-known international application for internet communication) that his close friend, a cousin of the Macedonian Foreign Minister, who is Mr. Bujar Osmani (i.e. the Minister is Mr. Bujar Osmani) demanded 50,000 euros (in words: fifty thousand euros) to "arrange everything necessary" regarding the diplomatic position for which I have been waiting for a long time. In other words, this is corruption and a request for a bribe by a relative of the Minister. Any international institution - Interpol, FBI, etc. can easily check the audio tape, when this was told to me by phone during the conversation with Mr. Karanfilov. Independently of this, another millionaire, well-known entrepreneur, philanthropist and owner of the previously well-known companies Bargala Štip, Agrobar Vinica and other companies, Mrs. Lenče Barzova, informed me personally that her influential friends made it clear to her that corruption would be needed concerning the long-time negotiated diplomatic option to be successfully resolved for me at the Ministry of Foreign Affairs. I also informed the diplomat from the Dutch Embassy in Skopje, Mr. Ivan Iliev, about this

WRITTEN PUBLIC COMMENTS SUBMITTED TO PCAST

corruption issue (taking into account that both the previous and the current Dutch Ambassador in Skopje very actively support the fight against corruption and organized crime in the Republic of North Macedonia) and I also informed (by text message via Whatsapp) the former well-known prosecutor for the fight against organized crime, Mrs. Vilma Ruskovska, with whom I have established communication from earlier times. It is no secret that the Albanian Narco Cartel is one of the most powerful organized crime groups in Europe, that they probably have very good ties to Albanian politicians in North Macedonia, Albania and Kosovo, and that the Albanian drug mafia is among the biggest distributors of cocaine and heroin in Europe, so I recommend that the US Embassy in Skopje, the office of the European Union in Skopje and the American Ambassador in Skopje, Mrs. Angela P. Aggeler, did not possibly close their eyes to these specific corruption scandals and started to solve it in the interest of the functioning of the legal system in North Macedonia. The American Embassy in Skopje, the European Union Office in Skopje and the American Ambassador in Skopje, Mrs. Angela P. Aggeler must not allow themselves to be defeated by the Albanian Narco Cartel and its likely facilitators by Albanian politicians in North Macedonia, as if it were not enough that pro-Serbian and pro-Russian oriented probable criminal structures around Sašo Mijalkov (the so-called "Frankfurt Mafia") are most likely involved in the international narco-trafficking, so there is still no need for Albanian criminal structures to cause trouble wherever possible. I will not pay 50,000 euros (in words: fifty thousand euros) to the cousin of the Minister of Foreign Affairs of the Republic of North Macedonia, or to anyone else to receive a diplomatic post, and I expect that the American Ambassador to North Macedonia, Mrs. Angela P. Aggeler, will realize her the many times publicized position that he will not allow any corruption between the top Macedonian and Albanian politicians in the Republic of North Macedonia. In the attachment "Scandals concerning possible criminal activities around Mr. Bujar Osmani and his family" is information published by Macedonian journalists and politicians regarding the possible criminal activities of Mr. Bujar Osmani and his family.

Listed and sent (part of the text) two years ago, i.e. in 2021

....Controversies continue in our country regarding the selection of the Macedonian Ambassador for the Embassy in the Czech Republic. All previous Ambassadors of the Republic of North Macedonia in the Czech Republic have been associated with various illegal activities, international scandals and controversies, starting with the first ambassador, the famous Dr. Oscar Gilbert, who was associated with probable corruption and fraud, and according to published information by investigative journalists, Mr. Gilbert was later imprisoned and sentenced to a long prison term. According to published information, Dr. Oscar Gilbert is even a Czech citizen, so it is unclear how he could even become the Macedonian ambassador to the Czech Republic. The next (temporary) ambassador of the Republic of North Macedonia in Prague was Mr. Goce Karajanov, who was also intensively mentioned in the media regarding the dubious purchase of land and a building for the Macedonian embassy in the Czech Republic. Mr. Goce Karajanov used the services of one intermediary for the purchase of the embassy, the reconstruction of the embassy and for the temporary offices of the Macedonian embassy in Prague, and this was none other than the probably

WRITTEN PUBLIC COMMENTS SUBMITTED TO PCAST

well-known Bosnian mobster Hajrudin Gušmirovič, who for many years was mentioned in many Macedonian media as a possible main representative of the infamous (and former) head of the Macedonian secret services, Saša Mijalkov, who, according to many sources, was probably involved in money laundering in the Czech Republic, drug trafficking (the so-called "Frankfurt Mafia", i.e. the Macedonian-Kosovo mafia), human trafficking) etc. At the time, many companies of Mr. Gušmirovič were registered at the temporary address of the Macedonian embassy in Prague, which were probably used for money laundering (also at that time, Mr. Gušmirovič was the manager of several restaurants in a lucrative part of Prague - the method of using restaurants for possible money laundering is long known to all financial experts specializing in financial machinations and money laundering). He was followed by another Macedonian Ambassador in Prague, Mr. Igor Ilievski, who is probably best known for the biggest diplomatic scandals that have occurred in modern Macedonian history (starting with his publication of the possible activities of the so-called "Frankfurt Mafia," and the possible threat of a bomb attack on his embassy in Prague and his likely escape to Poland where, according to published information from investigative journalists, he applied for political asylum because he was allegedly threatened with physical liquidation by Saša Mijalkov). Before that, Mr. Ilievski was a high-ranking official of the Ministry of Foreign Affairs of North Macedonia, while at that time he was involved in a possible corruption scandal regarding the purchase of Macedonian embassies in several countries of the world, which, according to certain information, is being investigated by the Macedonian police for a long time. Another "talented" ambassador in Prague was Mr. Paskal Stojčevski, whose father was probably an agent of the former Yugoslav communist secret service UDBA, and Paskal Stojčevski's wife is now under investigation in the biggest corruption scandal in the history of North Macedonia, the "Empire" case for possible and probable money laundering in Czech Republic - the main part of the "Empire" case is the richest Macedonian, Orce Kamčev, as well as many other influential businessmen and politicians are part of the investigation of this case. Now another Macedonian scandalous couple is planned for the post of Ambassador in Prague – Saško Todorovski and Mirjana Najčevska. Saško Todorovski is known as an organizer of various demonstrations (something similar to Mikuláš Minář from the association Milion Chvilek) and has also become famous among the Macedonian public for several diplomatic scandals. According to more detailed information published in the Macedonian media, first in 2006, Mr. Todorovski was recalled from the diplomatic mission in the Council of Europe in Strasbourg (where he held the position of Chargé d'affaires, i.e. temporary ambassador) due to an "incident with Greek diplomats" and also in earlier times he was dismissed from the position of Vice-Consul of the Yugoslav diplomatic mission in Thessaloniki, Greece, due to "probable corruption and possible financial machinations during the diplomatic mission." His wife, Mrs. Mirjana Najčevska, in turn "became famous" for her incredible presentations in public and in various media, just as an example I will mention two bon mots - in one of her presentations, Mirjana Najčevska expressed "that she is not Macedonian, but a member of the Earth race?!"; her next "genius" expression was "that old people should protest naked and in this way, i.e. naked, they should march through the streets and attract attention to the solution of their interests." Well, with such a scandalous

WRITTEN PUBLIC COMMENTS SUBMITTED TO PCAST

quasi-diplomatic couple, Czech politicians and diplomats will have a rough time and a lot of fun in the Czech Republic, while the (then) Minister of Foreign Affairs of the Czech Republic, Mr. Tomáš Petříček, would probably have to lose his mind if he agreed, for this tragic-comic "diplomatic" couple to become Macedonian ambassadors and come to Prague as the new Ambassadors of North Macedonia....

2023 – Scandals surrounding Ambassador Saško Todorovski

Dear Ms. Ivanovska,

Firstly, I would like to thank you for your engagement concerning the first part of the indications/circumstantial evidence/cases that I have submitted to you for review and for opening possible investigations. From the meeting that I had with you at the SCPC headquarters, I obtain a good impression - I am satisfied with your professional approach and I believe that successful investigations will result in a short time. As I promised, I am enclosing the second part of the indications/circumstantial evidence/cases, which as matters of speculation need to be examined and investigated, and in cases where legal irregularities are discovered to be raised charges against the relevant parties. Please pay particular attention to the following cases:

- From (approximately) 2012 - 2013 till 2015-2016, the names of Hajrudin Gushmirovich, Goran Gacov, Igor Ilievski, and Goce Karajanov have been intensively mentioned (on several occasions) in the media by the then Macedonian political opposition SDSM concerning possible and probable criminal activities carried out in the Czech Republic in the interest of then Prime Minister Nikola Gruevski and his cousin Saso Mijalkov. It can be positively assessed as an excellent activity and fight against organized political crime by the then opposition SDSM, but after the SDSM won the elections (2 years ago) and started to rule the Government, the aforementioned persons (Hajrudin Gushmirovich, Goran Gacov, Igor Ilievski, and Goce Karajanov) are not in any investigation - neither the SPO (Special Prosecutor's Office - <http://en.jonsk.mk/>) nor the Public Prosecutor's Office. Is it surprising and suspicious that for 2 years no one even mentions the key people of Saso Mijalkov in the Czech Republic?

- Particular attention should be given to my mother's case, especially as our family has been under pressure from agents of the former Yugoslav secret service UDBA for decades, apart since my mother (her family has an origin in the ancient and significant Bulgarian dynasty) was intensely terrorized because of her Bulgarian roots by the agents of the (former) Yugoslav communist secret service UDBA. I received a written suggestion from the Bulgarian Ministry of Foreign Affairs to inform the Macedonian SPO (which was done by me - I had a meeting with an SPO investigator as well as with a Special Public Prosecutor and I was informed by the SPO Prosecutor that they had no authority at present to undertake any activity, as the SPO law has not yet been approved (adopted) by the Macedonian Assembly - for more detailed information you can contact the SPO > according to the statement of the Special Public Prosecutor, as soon as the SPO law is approved (Act of Parliament), I will be among the first people that she will contact

WRITTEN PUBLIC COMMENTS SUBMITTED TO PCAST

to assist in the investigation of the most important case being investigated by the SPO – the "Empire" case ie my support will be significant for providing and finding the possible secret bank accounts and assets (in the Czech Republic, Hungary, Turkey as well as in offshore destinations) owned by Orce (Jordan) Kamchev, Saso Mijalkov, Nikola Gruevski, Nadezhda Gruevska, Jordan Mijalkov (Saso Mijalkov's son), Gjorge Ivanov, Zoran Stavreski, Václav Klaus, Jiří Weigl, and other high-positioned Macedonian and Czech politicians. In addition, the Embassy of the Republic of Bulgaria in Skopje and the Bulgarian Prosecutor's Office were also informed concerning our situation.

- I also require the Bulgarian prosecutor's office to take measures against our relatives, Desislav Jankov (employee at the Sofia airport - Пътници | Летище София) and Ing. Dimitar Dimov (former Director of the State Agency for construction of the transport infrastructure in Bulgaria - he was responsible for giving concessions, financing, and realizing the construction of roads, highways, and bridges on the territory of the Republic of Bulgaria; also he is/was the owner of the Bulgarian company "Bulstroy - 21 JSC" as well as the company "I & P Consult Engineering Ltd.). From our information, Desislav Jankov and Dimitar Dimov are probable and possible agents of the Bulgarian secret services, and Desislav Jankov most likely has organized several robberies of our mutually owned apartment in Sofia, constantly threatening and pressuring Elka Nocheva by him and his family - the Bulgarian Embassy in Skopje has been informed about this matter on several occasions (Bulgarian consuls have been notified at different times) as well as the Bulgarian prosecutor's office. Dimitar Dimov gives some support to Desislav Jankov, because Dimitar is probably much higher ranked in the security structures of the Republic of Bulgaria (by some information that we obtained), he was a good friend of Alexander Lilov known as "The Strategist" - who was also considered to be the "Gray Eminence" of the Bulgarian Communistic Regime and many other politicians. Also, should be made a lustration/vetting process of ing. Dimitar Dimov, because he most likely and probably became an official of the secret services during the communist regime. A few years ago, Dimitar Dimov's eldest son was part of a public mega scandal over the possible misuse of EU funds for the reconstruction and construction of Bulgaria's transport infrastructure. Thanks to his father's good contacts with the former leaders of the communist regime, he somehow managed to stop the investigation, but I insist that the EU institutions resume the investigation because it is a possible and probable theft of large sums of money from European funds i.e. high-level of corruption. Both should be arrested as soon as possible to take the responsibility for their alleged/possible criminal acts and activities.

- Some illogical things have been happening in North Macedonia lately - according to some speculations, Saso Mijalkov sends his confidential people to the Czech Republic to continue to run his probable criminal business, whereas the authorities are not taking any action to prevent/stop it or anyone investigating it. Further, according to some information, in the last two years Sasho Mijalkov has probably done serious and successful infiltration of his people into the current SDSM government - as an example I will state two (2) cases (and probably exists many such cases) - the former Macedonian Ambassador to the Czech

WRITTEN PUBLIC COMMENTS SUBMITTED TO PCAST

Republic, Paskal Stojceski, who was considered a close person of former Prime Minister Nikola Gruevski (who escaped from North Macedonia) and Saso Mijalkov, and who (to my knowledge) is married to a relative of the Orce (Jordan) Kamcev (Mr. Kamcev was considered to have tight relations with Nikola Gruevski and Saso Mijalkov, and who is the main suspect in the largest (possible and probable) the criminal case in North Macedonia's history - the "Empire" case), has been the head of the current Foreign Minister Nikola Dimitrov's cabinet for two years in the current government of SDSM?!? The second case concerns the aforementioned Goce Karajanov, who was firstly sent as a Chargé d'affaires to the Macedonian Embassy in Prague as a close person of Saso Mijalkov and Nikola Gruevski (in the attachment are the scandals that have long been publicized in relation to Goce Karajanov in the Macedonian media), after representing their interests as Consul General in New York and Ambassador to Moscow, to be appointed as Foreign Policy Advisor to the Macedonian President Stevo Pendarovski (who is also from the SDSM)?!? Parents of Paskal Stojcevski and Goce Karajanov (primarily their fathers) are probably and possibly agents of the former Yugoslav Communist secret service UDBA, whereas Paskal and Goce are probably also members of the current Macedonian secret service (in a private conversation Goce Karajanov himself has told me that he is an agent of the secret service and that he is under the command of Saso Mijalkov). Isn't this possible and very likely infiltration of Saso Mijalkov's people in the current SDSM government not noticed?!? As early as 2008, there were speculations that Saso Mijalkov would gradually prepare his son Jordan to take over the management of his likely criminal empire in the Czech Republic, and as long as Saso Mijalkov was left free to roam around Skopje and with his son Jordan to manage their probable international criminal empire then the creation of a rule of law (État de Droit) in North Macedonia will be just science fiction.

Finally, I would like to express my gratitude for the excellent cooperation and great support from the US State Department representatives, especially from the political officer of the US Embassy in Skopje, Mr. JD Waterman; then the FBI Agent, Agent Jack H. Liao (stationed at the US Embassy in Sofia) as well as many other US and European representatives from various international institutions (including the Bulgarian Prosecutor's Office and the Bulgarian Foreign Ministry) that support the resolution of the above cases, opening investigations with a purpose to get judicial decisions.

Thank you for your engagement and looking forward to hearing from you soon!

With best regards,

M.Sci. Metodij Nochev

- Provocations, intimidations, and insults (on a national basis) towards Elka Nocheva (born in Plovdiv, Republic of Bulgaria; dual citizenship) by probable and possible agents of the Macedonian secret service Ljubomir and Snezana Zafirovski (contact info upon request)

WRITTEN PUBLIC COMMENTS SUBMITTED TO PCAST

- During the privatization of GP Beton AD - Skopje (in the '90s) the management and the employees had the right to obtain the shares of the company GP Beton AD - Skopje. Bozhidar Nochev, MA, although he was the director of the representative office of GPB Beton AD - Skopje in Prague (Czech Republic), never received a single share of Beton (although by the status he had the right to obtain at least 100 shares). The then General Manager of GP Beton AD - Skopje was Andreja Sazdov and his deputy was Klime Popovski

- Controversial procurement/tender of buying of Macedonian embassies (especially in the Czech Republic, Hungary, Austria, the United Kingdom etc.). There was speculation that 10% of the total amount paid for the Macedonian Embassy in the Czech Republic ended up in the private bank accounts (not coincidentally the probable scheme included Igor Ilievski-Goce Karajanov-Hajrudin Gusmirovich). Existed also speculations about possible corruption over the reconstruction of the Macedonian embassy in Prague and the renting of offices for the needs of the Macedonian embassy in Prague (both works were carried out in co-operation with companies related to Hajrudin Gusmirovich, who was considered a close person to Sasho Mijalkov). Further, will be necessary to check the forgotten possible link between the company Tasiga Corp. from Panama (part of the Panama Papers scandal) and Czech firm Myrtlanis s.r.o. > Both companies have been mentioned in the media as being (probably) owned by Saso Mijalkov.

- Based on the info (private conversation made in 2006 / or 2007) by Katerina Korschul (former manager of Adora Inzenering) it is likely that a number of luxury apartments built by Adora Inzenering have been tapping/eavesdropping (ie illegal wiretapping)

- "Frankfurt mafia" investigation of the alleged/possible drug/narco-trafficking business of Saso Mijalkov in the Czech Republic. According to a conversation with the then Minister of Foreign Investments, Mr. Gligor Tashkovich (during our official visit to Iceland in 2008), Saso Mijalkov was probably involved in drug trafficking in the Czech Republic, further probable possessing 2 (two) strip clubs in Prague at which he probably brought about 120 Macedonian women to the sex industry in the Czech Republic (that is, probable and possible slave trade).

- Speculation about possible links and cooperation (in the area of business and intelligence) between former Czech ambassadors to the Republic of North Macedonia, Josef Braun and Miroslav Rameš on the one hand, and Saso Mijalkov on the other. The very possible and probable link between the then Czech diplomats and the then head of the secret service of North Macedonia (ie in their case a foreign state secret service) would act suspiciously and I advise paying particular attention to these possible and likely business/intelligence correlations.

WRITTEN PUBLIC COMMENTS SUBMITTED TO PCAST

- It is necessary to check speculation whether Saso Mijalkov had Czech citizenship at the time when he was the head of the Macedonian secret service. As far as I know, no Macedonian can become head of the secret service if he holds dual citizenship (at least in diplomacy it is known that with dual citizenship no one cannot become a Macedonian diplomat)

- Based on the information from Pande Kitanov (former Finance Director of GP Granit AD) it is necessary to verify possible and likely money laundering of Saso Mijalkov through the project of granite exploitation in the region of Panteley and Stalkovica villages. Previously, that project was offered by Pande Kitanov and his friends but in a private conversation, Pande mentioned that Saso Mijalkov undertook that project ie. Pande Kitanov was removed from the project.

- Through a family friend and relative of Commander Breza, Mr. Ayro, we have been exploring the possibilities of his support for my possible employment in some of the Swiss banks (since they have long-term family friends in Switzerland). After a while, Ayro informed us that he could not help us with this matter because the Saso Mijalkov's people were intimidated/threatening him to not helping us in the style of " Albanians to watch their work and take care of their people and Mijalkov would take care of Macedonians." It was a private initiative for possible employment in the private sector in Switzerland and Saso Mijalkov had absolutely no authority as head of the secret service to interfere with our private affairs and to block and intimidate/threaten our family friends.

- Most important for the end - through several conversations (in 2008; realized several separate meetings, independent of each other) that I had as a Macedonian diplomat in the Czech Republic with the well-known Czech businessman/consultant Martin Hanzlík and the well-known Czech lawyer JUDr. Miloslav Drbálek, was mentioned to me that Saso Mijalkov was probably planning to launder a large sum of money (about 100 million euros) in tranches of 10-15 million euros a year and they (Martin Hanzlík and JUDr. Miloslav Drbálek) were interested if I could provide them with more information about the opportunity. I guess they got the information through the Czech Secret Service, because of my speculative knowledge, both of them (ie Martin Hanzlík and JUDr. Miloslav Drbálek) are probably either high officials/collaborators of the Czech Secret Service or with very good contacts between the Czech Secret Service. In a later conversation, that I had with a famous Czech politician (for whom I have great respect) Jiří Dienstbier Sr. it is likely that probably Saso Mijalkov may have paid large sums of money (in millions of euros) to one of the most influential Czech politicians for "protection", ie. for the possibility of committing criminal activity in the Czech Republic - laundering large sums of money which derivable from various illegal activities. The scheme was probably (and may still operate on the same principle) as follows: early morning (about 2-3 a.m.) representative/s of the former Czech Prime Minister / former Czech President Václav Klaus (as it is likely to be PhDr. Ing. Jiří Weigl, the former Chief of the Cabinet of the former President of the Czech Republic, Mr. Václav Klaus) at some distant gas stations in/around Prague (ie where is a low frequency of car and people turnover) met with some of the bosom/close people to Saso Mijalkov

WRITTEN PUBLIC COMMENTS SUBMITTED TO PCAST

(then (and now former) Chief of the Macedonian Secret Service) where people of Saso Mijalkov were handed/given over suitcase/suitcases with millions of euros/dollars in cash to receive some sort of "political protection" for their numerous (probable and possible) criminal/illegal activities that they carry out on the territory of the Czech Republic. This is the most important indication to be investigated, as it is the key to uncovering possible systemic corruption perpetrated at the highest level in the Czech Republic in cooperation with and support from the former most influential political criminal structures in the Republic of North Macedonia. Otherwise, Jiří Dienstbier Sr. was my good friend who was considered one of the most influential and credible politicians in the Czech Republic - one of the closest friends to the legendary Czech politician Václav Havel, both of whom were political dissidents who were persecuted by the Czechoslovak communist regime. Jiří Dienstbier Sr. was known for his long-term fight against corruption in the Czech Republic but unfortunately his premature death prevented him from achieving his goals but his son, Jiří Dienstbier Jr. while he was Minister in the Czech Government he continued the fight against corruption in the Czech Republic and I believe he can assist and be very supportive in the Czech investigation.

WRITTEN PUBLIC COMMENTS SUBMITTED TO PCAST

Section 4: Beate Wagner

Written: 9/18/2024

Subject: GYA Quarterly Bulletin III 2024

Greetings,

In the third GYA Quarterly Bulletin of 2024, we share news of the recently published Global State of Young Scientists Africa Main Report and the GYA's efforts in science diplomacy – including our Science Diplomacy in Africa Incubator group.

Please kindly let us know if you have any ideas on how we can jointly work on advancing the role of early-career researchers.

With warm wishes on behalf of the GYA's Executive Committee and the GYA Office,

Beate Wagner
Managing Director

See content on following page



KEY TAKEAWAYS

- Global State of Young Scientists (GloSYS) publish GloSYS Africa Report
- GYA members establish Science Diplomacy in Africa group
- Save the date for the 2025 AGM & Conference in Hyderabad, India

ACTIONS YOU CAN TAKE

- Share the main findings and recommendations of the GloSYS Africa Main Report at your institution.
- Contact our Science Diplomacy in Africa Incubator group if you have similar initiatives in your institution.
- Read GYA Connections 12, which examines the theme Transformation

This bulletin provides an overview and highlights of the activities of the Global Young Academy in the third quarter of 2024, and complements our monthly newsletters (archive available [here](#); [subscribe here](#)), which provide more comprehensive details.

GLOBAL STATE OF YOUNG SCIENTISTS AFRICA MAIN REPORT PUBLISHED

The GYA is excited to share that the [Global State of Young Scientist \(GloSYS\) Africa Main Report](#) has been published. The report provides a comprehensive analysis of the experiences and challenges faced by early-career researchers (ECRs) in Africa, with an aim to advise policy for science, and contribute to scholarly discussions in the field of higher education research.

The GloSYS Africa Main Report analyzes survey responses from ECRs born in 42 of the 54 African nations, as well as African nationals living outside of Africa. Additionally, survey respondents in 14 pre-selected focus countries (Cameroon, Egypt, Ghana, Kenya, Mauritius, Morocco, Mozambique, Nigeria, Rwanda, Senegal, South Africa, Tunisia, Uganda and Zimbabwe) were interviewed.

Interview data contributed to the interpretation of survey results in the GloSYS Africa Main Report, as well as to a separately published narrative report on career trajectories in Africa (see [Voices of Early Career Researchers in and out of the Academy: A Pan-African Perspective](#)).

The GloSYS Africa Main Report addresses trends in higher education on the African continent, and in this context ECRs' motivations to pursue a research career, their career satisfaction and workload, inequities in research, mentoring, the funding landscape, and international mobility.

GloSYS Africa builds on previous GloSYS studies undertaken by the GYA that all share a method-

ological framework, adapted to the specific regional context, aiming to provide crucial data for regional comparisons to inform science policy.

The GloSYS Africa Main Report identifies a high motivation of ECRs to engage in research, and a desire to contribute to societal development. Despite this enthusiasm, 80% of respondents considered leaving Africa as an attractive career option, and approximately 60% considered leaving their employment for a different sector. Some of the challenges highlighted in the report include job security, a heavy teaching load with not enough time and resources to pursue excellent research, inequalities in the research system particularly experienced by female researchers, and lacking resources and support for international mobility, which is considered to be a necessary aspect of a successful research career. Formal mentorship is widespread and perceived as important to career success, but the demand for quality, readily available mentorship still outpaces the supply.

The GloSYS Africa Main Report offers science policy recommendations for African higher education and research institutions and academies, as well as international research funding bodies, focused on these main themes:

- Open Data policies to make research data equally available to ECRs across the continent
- Retain researchers by improving ECRs' working conditions and by improving research evaluation mechanisms to focus on quality of achievements.



- Enhance funding opportunities through increased availability of grants specifically targeted at ECRs, and increasing administrative support for funding applications.
- Improve support systems for ECRs through quality improvement of mentoring, with particular attention to promoting gender equality in research institutions.
- Increase international research collaborations and exchanges, and address barriers such as visa restrictions and lack of funding for international travel.

These recommendations aim to create a more supportive and equitable environment for ECRs in Africa, to contribute to a growing research landscape on the continent, and to the global scientific community.

A launch event for the GloSYS Africa Main Report is in the planning stages - stay tuned for more information!

SCIENCE DIPLOMACY REMAINS A CORNERSTONE OF THE GYA

Science diplomacy is crucial to the GYA for its ability to foster international collaboration, enhance scientific capacity, and support ECRs.

Among other GYA efforts to enhance science diplomacy, the GYA [Science Diplomacy in Africa Incubator group](#) was established in January 2024.

The group aims to explore Africa's diverse scientific landscape, bridge the North-South and South-South scientific gap and foster intra-African collaboration, and establish and strengthen the science-policy interface across the continent.

In August 2024, group members were particularly active. First, the group organized an information session on the GYA's annual call for membership to stimulate interest and answer applicants' questions.

Several members also served as Global Youth Leaders for the Global Indigenous Youth Summit on Climate Change (GIYSCC). The Summit was organised on the occasion of the International Day of the World's Indigenous Peoples on 9 August. GYA Executive Committee member [Devina Lobine](#) (Higher Education Commission, Mauritius) was a Global Lead of the event (you can see a recording here: [GIYSCC-2024 Region 2](#)).

The GYA is not the only organization involved with science diplomacy of course. Some of our Partners recently collaborated on the first Science Diplomacy Workshop for Early-to-Mid-Career Researchers in ASEAN Plus Three.

The workshop was co-organized by Thailand Science Research and Innovation, the National Science Museum of Thailand, in cooperation with The World Academy of Sciences (TWAS), and the American Association for the Advancement of Science (AAAS) in Bangkok, Thailand.

This three-day workshop, the first of its kind in ASEAN to pair ECRs with policymakers, was attended by GYA members [Peter Gan Kim Soon](#) (Ministry of Health Malaysia, Malaysia) and [Thao Thi Phuong Nguyen](#) (Hanoi Medical University, Vietnam).

Key takeaways reported by Peter and Thao included the imperative of anticipatory science, and the necessity of capacity building.

[Read their entire report here.](#)

SAVE THE DATE - 2025 AGM & CONFERENCE IN HYDERABAD, INDIA

The 2025 GYA Annual General Meeting (AGM) and International Conference of Young Scientists "Confluence of Visionaries: Empowering Science for Global Change" will take place in Hyderabad, India, from 10-13 June 2025. The meeting will be hosted by the Indian National Young Academy of Sciences (INYAS), and co-organized by the GYA, INYAS and the Indian National Science Academy (INSA), and the Indian Institute of Technology, Hyderabad.

[More information on the AGM & Conference is available here.](#)

ABOUT THE GYA

The vision of the GYA is *science for all; science for the future*, and its mission is to give a voice to young scientists and researchers around the world. The GYA, founded in 2010, is an independent science academy of 200 outstanding early- to mid-career researchers from six continents who are selected from across disciplines based on their academic excellence and commitment to engage with society. GYA members serve five-year terms, and the GYA counts members and alumni from more than 100 countries. The GYA administrative Office is hosted at the German National Academy of Sciences Leopoldina. The wide array of GYA activities are supported by a range of international public and private funders. This publication was made possible with the help of GYA's core funding from the German Federal Ministry of Education and Research and the German State of Saxony-Anhalt.

GYA Co-Chairs

[Chandra Shekhar Sharma](#) (Indian Institute of Technology (IIT) Hyderabad, India)

[Yensi Flores Bueso](#) (University College Cork; University of Washington in Seattle, Ireland/ United States)

Managing Director

[Beate Wagner](#) (Germany)

WRITTEN PUBLIC COMMENTS SUBMITTED TO PCAST

Section 5: Parker Willey

Written: 9/20/2024

Subject: Legacy measurements used in the U S A vs The modern metric system

Hi:

First, Let's Compare two measuring methodologies.

Legacy Measures:

Inches use fractions, $\frac{3}{4}$, $\frac{9}{16}$, $\frac{17}{32}$, etc. Remember studying fractions in school?

1 foot = 12 inches.

1 yard = 3 feet or 36 inches.

1 fathom = 2 yards or 72 inches.

1 chain = 11 fathoms or 22 yards.

1 furlong = 10 chains.

1 mile = 8 furlongs, 80 chains, 880 fathoms, 1760 yards, 5280 feet, 63360 inches, or 0.86898 nautical mile.

1 acre = a rectangle, not square, 1 chain x 1 furlong, 43560 sq. feet, Land a dude with horse and plow can plow in one day.

1 cubic foot of water = 7.488 gallons, or 1728 cubic inches & weighs 62.427 pounds.

1 troy ounce = 1.097 avoirdupois ounces.

THIS IS A KLUDGE!

Simple:

1 meter = 1000 millimeters (or 100 centimeters).

1 kilometer = 1000 meters.

1 hectare = 100 meters square. 10000 square meters, (About 1 football field + 1 end zone wide and long).

1 cubic centimeter (milliliter) of water, weighs 1 gram. $10 \times 10 \times 10$ mm.

1 cubic liter of water, weighs 1 kilogram. 1000 milliliters. $100 \times 100 \times 100$ mm

1 cubic meter of water, weighs 1 metric ton. 1000 kilograms. 1000 liters. $1000 \times 1000 \times 1000$ mm

This is a Measurement System!

Which is simpler?

Which should America use?

If we make products in simple metric units, wouldn't foreigners be more likely to buy them?

Isn't that better than imposing trade tariffs?

Some companies have two production lines, one for domestic sales and one for foreign trade. Cost?

To convert between big and small units, you just move a decimal point. With our legacy system, you need a computer.

WRITTEN PUBLIC COMMENTS SUBMITTED TO PCAST

Let's switch from Kludge to simple!

How can a bill be quickly introduced, passed and signed that finally finishes the metric conversion in the USA?

Let's get rid of miles graffiti from our highway signs so when you drive from The USA, to Canada, or Mexico, there is no confusion on speed limits and distances NOW!

Say social distancing, keep 2 meters apart. Not 6 feet, Don't use the Kludge!

Now, when you drive from the USA to Canada or Mexico, you notice the speed limits are in kilometers/hour and not miles. Now, the whole world uses kilometers but the US still uses ancient old English mile units. Why?

Isn't it way past time to change the highway signs in the United States to metric?

What is keeping this change from happening? Who is preventing it?

Perhaps there needs to be some shift of personnel in highway departments? Maybe Some older folks probably should be retired or fired! This would bring some younger people with newer ideas in!

Are there some laws that need enacting? How can it happen?

Thank you

Parker Willey Jr.

San Jose, CA

See sites.google.com/site/mymetric

WRITTEN PUBLIC COMMENTS SUBMITTED TO PCAST

Section 6: Luis Eliseo Arteaga Uribe.

Written: 9/22/2024

Subject: PETITION FOR THE DIRECTOR OF THE ILO COUNTRY OFFICE FOR MEXICO AND CUBA.

MR. PEDRO AMÉRICO FURTADO DE OLIVEIRA.
DIRECTOR OF THE ORGANIZATION'S COUNTRY OFFICE
INTERNATIONAL LABOR FOR MEXICO AND CUBA

Distinguished gentleman:

Please receive through this message a cordial greeting from me, and, at the same time, I take this opportunity to place before your highest consideration my work matter, which finds its origin based on the following:

F A C T S.

FIRST.- In that same situation, I would only like to clarify the reason for the request that I made to the Responsible Authority, and, in a few words, this has to do with the fact that, in the middle of the month of SEPTEMBER 2022 , I was hired to work as HEAD OF THE DEPARTMENT OF COMPLAINTS, COMPLAINTS AND SOCIAL PARTICIPATION OF THE ENVIRONMENTAL PROTECTION OFFICE OF THE STATE OF TLAXCALA , a position from which I was able to observe a series of irregularities, criminal conduct, abuses of authority and in which I appreciated the serious institutional corruption that allows the contamination of the aquifers and the destruction of our forests, without forgetting the massive loss of biodiversity, which not only destroys the STATE OF TLAXCALA , but clearly, the same thing happens in each Federal Entity of this country; Because of the above, and after refusing to be an accomplice or participate in the illegalities committed, and even more so, to have to cover up the crimes perpetrated by the Authorities, this earned me the fact that my colleagues, instigated and encouraged by my hierarchical superiors, , dedicated themselves day after day to carrying out a series of acts of harassment and discrimination that became more and more a constant, and due to which, I suffered a body paralysis that left me immobilized for three months and that almost led to a possible stroke, the same thing for which he evidently could have almost lost his life.

SECOND.- Given this, I decided to inform the corresponding Authorities so that within the scope of their competence they will act according to the demands and complaints that I present to them, these being the SECRETARIAT OF THE PUBLIC FUNCTION , the SUPERIOR CONTROL BODY and also before the PROSECUTOR'S OFFICE SPECIALIZED IN FIGHTING CORRUPTION , all of the STATE OF TLAXCALA ; It should be said that after the promotion of the corresponding resources, I found myself in the need to have to file an Amparo Trial for each of these in order to know what course they had taken and/or had given to my

WRITTEN PUBLIC COMMENTS SUBMITTED TO PCAST

complaints, since They never notified me of anything, and given such considerations, I can say that the THREE public institutions, at the time of rendering their Justified Reports, blatantly and deliberately lied to the FEDERAL JUDGES , by establishing facts that were otherwise false and even more so by mutilating my complaints, since when they were asked to transfer the documents provided, they removed the parts that did not suit the public servants who had denounced, and without any penalty, they thus handed over the proceedings to the judging persons.

THIRD.- Likewise, when I demand my employment benefits before the TRIBUNAL OF CONCILIATION AND ARBITRATION , and at the same time when I present a means of challenge before the TRIBUNAL OF ADMINISTRATIVE JUSTICE , both of the STATE OF TLAXCALA , this to prevent forced me to carry out the delivery-reception of the area that was in my charge, in the ad hoc terms that they wanted, pardon the word, foolishly the JUDICIAL AUTHORITIES committed a series of irregularities that only evidenced their bad actions during the processing of the trials, since the notifications they gave me were extremely rigged, I was sent a notification with files where I was asked to answer various views, based on the documents presented by the counterparty, without the same documents being included in said copy of the transfer. , they declared themselves incompetent to know situations that were their own and even, in an anomalous way, the COURT OF ADMINISTRATIVE JUSTICE , warned me on one occasion to clarify only the personality with which I promoted and to attach the documents with which I supported this, a matter that In fact, I did, however, an issue arose for which the RAPPORTING MAGISTRATE excused himself from my matter, which conveniently took months and months to resolve, all this so that after he had moderately begun to process my judgment and of requiring the pertinent reports from the corresponding Authorities, motu proprio, the Jurisdictional Body without having exhausted all the stages of the trial, decided to issue a resolution in which it refined the process and in which, it resolved that my administrative claim was notorious and undoubtedly inadmissible, therefore ordering my file to be archived.

FOURTH.- Likewise, upon seeing the level of corruption of the previously mentioned institutions, I decided to inform and/or enforce what was appropriate in Law and in accordance with the Law, bringing the above to the attention of the institutions. public bodies that make up the STATE ANTI-CORRUPTION SYSTEM and also before the STATE HUMAN LAW COMMISSION itself, both from TLAXCALA ; However, first of all, it should be said that the ANTI-CORRUPTION SYSTEM is directed by a Government Body called the COORDINATING COMMITTEE , which is made up of the CITIZEN PARTICIPATION COMMITTEE , the SUPERIOR COURT OF JUSTICE through its COUNCIL OF THE JUDICATURE , and is also the INSTITUTE OF ACCESS TO PUBLIC INFORMATION AND PROTECTION OF PERSONAL DATA , also including the Authorities that it indicates in advance, these being the SECRETARIAT OF THE PUBLIC FUNCTION , as well as the SUPERIOR CONTROL BODY and also the OFFICE GENERAL OF JUSTICE. through the PROSECUTOR'S OFFICE SPECIALIZED IN FIGHTING CORRUPTION , without forgetting the COURT OF ADMINISTRATIVE JUSTICE , all of the previous ones of the STATE OF TLAXCALA , with the SEVEN previous Authorities being in charge of

WRITTEN PUBLIC COMMENTS SUBMITTED TO PCAST

formulating at the local level the specialized policy with which, the rest of Public agencies and institutions, including municipal ones, must conduct their actions and provide public services in favor of citizens; It goes without saying what happened in this matter, since, it is more than evident that neither the TECHNICAL SECRETARIAT nor any of the MEMBERS OF THE COORDINATING COMMITTEE OF THE ANTI-CORRUPTION SYSTEM OF THE STATE OF TLAXCALA , attended to my requests, since also through protections they I demanded a response to the requests I made to them, and in the same way, they used to submit reports in which they asserted false facts, even some more than laughable, but in short I understood that the ANTI-CORRUPTION SYSTEM does not address issues related to political corruption, but policies related to this issue are created. And, with regard to the inhumane and cruel treatment that I received from the OMBUDSPERSON , the GENERAL VISITORS , the HUMAN RIGHTS DEFENDERS and the other STAFF OF THE STATE HUMAN RIGHTS COMMISSION OF TLAXCALA , I will only limit myself to saying that I had never offered or seen such more despicable, dehumanizing, humiliating, discriminatory, unequal, deplorable and unprofessional treatment, this from any other public institution; being all I have to express regarding this Public Human Rights Organization.

FIFTH.- In view of the fact that no AUTHORITY IN THE STATE OF TLAXCALA was acting in accordance with its powers, I decided to promote all of the above, including its boss, the CONSTITUTIONAL GOVERNOR OF THE STATE OF TLAXCALA , to the current SECRETARY OF GOVERNMENT , who is the person that everyone protects and other Authorities, which at all times avoided intervening according to Law in the present situation, is that, I was forced to file a request so that the DEPUTIES OF THE LXIV LEGISLATURE OF THE CONGRESS OF THE STATE OF TLAXCALA , would serve to create a SPECIAL COMMISSION that would investigate each and every one of the facts presented here, and with this, once the corresponding evidence was gathered, the trials of declaration of provenance and relevant policies would begin for each one of these; However, upon receiving the response from the HEAD OF THE PARLIAMENTARY SECRETARIAT and also from the PRESIDENCY OF THE BOARD OF DIRECTORS OF THE PERMANENT COMMITTEE OF THE STATE CONGRESS , which at that time was installed because the DEPUTIES OF THE LXIV LEGISLATURE , it was that they informed me that there was no place for it, since in their opinion and best to understand, there were no reasons to justify the origin of this, an issue that is a fallacy, since in the copy From my parliamentary file it is alleged that the request to create a special commission was not taken into account, by virtue of not having ratified it, an issue to which another falsehood is added, since, immersed in the aforementioned file A document is included in which he ratified the aforementioned petition. It should be noted that I also promoted more than FOUR AMPARO TRIAL to the LEGISLATIVE POWER OF THE STATE OF TLAXCALA for various issues and in particular, one that had the objective of overturning the reform to the LOCAL CONSTITUTION that was carried out treacherously, at the end of the month of OCTOBER OF THE YEAR 2023 , solely and exclusively so that the current SECRETARY OF GOVERNMENT could occupy the position he has today; fact that was not at all surprising knowing that at the beginning of the month of JANUARY OF THE YEAR 2023 , this official had managed to place his own

WRITTEN PUBLIC COMMENTS SUBMITTED TO PCAST

Lawyer as LEGAL DIRECTOR OF THE CONGRESS OF THE STATE OF TLAXCALA , who had previously also held the position as LEGAL DIRECTOR AT THE ENVIRONMENTAL SECRETARIAT OF THE STATE OF TLAXCALA , where both worked, the first as a boss and the other as a subordinate, and which serves him well to draft the initiatives, decrees and reforms, as well as to arbitrarily decide what which means of political challenge are appropriate and which are not.

SIXTH.- Ultimately, and even knowing that they would obviously act in the way that the other Authorities acted, however, as a matter of being necessary as it was an ideal means for the restitution of my human rights, I proceeded to make various complaints before the OFFICE GENERAL OF JUSTICE OF THE STATE OF TLAXCALA , the same as a consequence of this, and, as it was explained to me indistinctly by a person who at the beginning of the month of APRIL 2024 , called my cell phone only to be able to extort me in the name of the GOVERNMENT OF THE STATE OF TLAXCALA , is that in effect, the OFFICE GENERAL OF JUSTICE never took into account the multiple complaints presented, so much so that when I promoted various Indirect Amparo Trials due to the fact that I did not know which was one of these, unfortunately the ATTORNEY ERNESTINA CARRO ROLDÁN herself, not only limited herself to falsifying facts in her Authority Report that she presented before the DISTRICT COURTS , or in the same way, she did not care at all about mutilating them, but, for On the contrary, I completely distorted the facts of the claimed act, altering the reality of it and the worst thing was that the name of the public servant who reported it was exchanged for that of a friend of mine, who had been offered in said denunciation as a witness of the facts that he was denouncing, and with this, evidently covering up the corrupt politician and trying to make a person who was innocent and/or who had nothing to do with the criminal acts appear as guilty, but what was also most serious was the ease with which that he made use of doing so, and even more terrible that, to this day, he has not even responded for such infamies, which it is clearly evident that he already has experience in all this, well clearly, I imagine that, It is not the first time that he has used this type of intimidating tactics.

SEVENTH.- Having promoted all the existing resources and/or within my reach, as well as undertaken and/or initiated the pertinent legal actions, without obtaining favorable results, even though many of them naturally proceeded in my favor, I decided to request a hearing. to the CONSTITUTIONAL GOVERNOR OF THE STATE OF TLAXCALA , and another also, but by a separate cord, to the true and supreme power that controls said Federative Entity, this being a SENATOR OF THE REPUBLIC ELECTED BY THE STATE OF TLAXCALA , before whom I beg for help and commiseration towards the situation he had been experiencing with respect to the irregular behavior of all the Authorities of his State; However, I did not receive a favorable response from both of them, so I have only had to watch how these people are rewarded and promoted politically, while they ruin and destroy the life of another without caring if, as a result, they lose their lives or their assets. their families, etc., making it unfortunate that things have to be like this and that we are forced to live in a MEXICO , more hurt every day, full of hatred and resentment,

WRITTEN PUBLIC COMMENTS SUBMITTED TO PCAST

desperate and frustrated because there are no opportunities for growth, ignorant and savage, to which, every day we go out to risk our lives in the face of the growing wave of insecurity, unemployment and economic crisis, generated by all those mediocre and incapable traitors.

EIGHTH.- It should be noted that, from the background narrated in advance, exactly the same thing happened with the Federal Authorities, this after also going before them, so that within the scope of their jurisdiction they could act on the facts and the Authorities reported, and even more to address the serious problems of corruption that have arisen, but neither the SECRETARIAT OF THE INTERNATIONAL , nor the SENATE OF THE REPUBLIC , the CHAMBER OF DEPUTIES , the SUPERIOR AUDIT OF THE FEDERATION , the NATIONAL INSTITUTE OF TRANSPARENCY, ACCESS TO INFORMATION AND PROTECTION OF PERSONAL DATA , including the EXECUTIVE COMMISSION FOR ATTENTION TO VICTIMS , which in itself does nothing, and even the NATIONAL COMMISSION OF HUMAN RIGHTS , which to this day, as far as my case is concerned, continues to act clearly. and evident against me, colluding with the Authorities, both local and federal, to protect them from knowing the truth of what they have done or omitted regarding many of the aspects of my complaint; and of course, without forgetting the NATIONAL ANTI-CORRUPTION SYSTEM itself, just days after I requested a hearing to present my case, it preferred to organize a public forum in which it had a special guest to talk about how corruption crimes are investigated. , to the HEAD OF THE PROSECUTOR'S OFFICE SPECIALIZED IN FIGHTING CORRUPTION OF THE STATE OF TLAXCALA ; Simply put, the SECRETARIAT OF THE PUBLIC FUNCTION OF THE FEDERATION , also when I presented various complaints and accusations, was there to make its local counterpart look good, went to TLAXCALA to sign a collaboration agreement to facilitate administrative procedures; Even the ATTORNEY GENERAL OF THE REPUBLIC, TLAXCALA DELEGATION , denied me access to my Investigation Folder due to the reported facts related to the collection of Voting Credentials in exchange for the provision of public services by an official who wanted to run. in these elections for LOCAL DEPUTY , and who, in fact, today competes to be so for the PROGRESSIVE SOCIAL NETWORKS (RSP) and the NATIONAL REGENERATION MOVEMENT (MORENA) parties; etc.

NINTH.- Given such circumstances, I also, through various email messages sent to your official institutional accounts, asked for the support of each and every one of the JUSTICE PROCUREMENT AUTHORITIES invoked therein, and in which arises from the request regarding that within the scope of its jurisdiction, this in terms of what each of the THIRTY-TWO PROSECUTOR'S OFFICES and/or PROSECUTOR'S OFFICES of the country, including that of MILITARY JUSTICE and the GENERAL OF THE REPUBLIC , established when he signed the COLLABORATION AGREEMENT CELEBRATED BY THE ATTORNEY GENERAL OF THE REPUBLIC, THE ATTORNEY GENERAL OF MILITARY JUSTICE AND THE ATTORNEYS AND ATTORNEYS GENERAL OFFICES OF JUSTICE OF THE FEDERAL ENTITIES ; without also forgetting the NATIONAL AGREEMENT FOR SECURITY, JUSTICE AND LEGALITY ; and thus the STATUTES OF THE NATIONAL JUSTICE PROCUREMENT CONFERENCE also provide for it; of whose precepts and clauses I cite in said message, each and every one of the above

WRITTEN PUBLIC COMMENTS SUBMITTED TO PCAST

used to exhort the HEAD OF THE OFFICE GENERAL OF JUSTICE OF THE STATE OF TLAXCALA , to dedicate herself to fulfilling her functions and to stop covering up politicians corrupt, abusive officials, as well as delinquents and white-collar criminals who only steal from the people, and likewise, so that all the misconduct displayed by the reported Authorities does not go unpunished and justice could be done to me.

TENTH.- It is for all of the above that, at the time, I requested your support as the person in charge in my country of the supervision and application of international treaties on labor matters, so that I could appreciate everything that was happening. , how this terrible government of the current PRESIDENT ANDRÉS MANUEL LÓPEZ OBRADOR , has allowed his political friends to completely violate the rule of law, how everyone indecently protects each other, leaving us at their mercy, to the injustices of the current regime politician who governs and who systematically and discretionally violates the human rights of the population, without caring about anything, so much so that, I even dare to say that if he were pressured by any influence outside my country, the PRESIDENT would be capable of breaking diplomatic relations, whether with an international organization or a foreign power, all because power has blinded him and he has not realized that he has become just like the tyrants and dictators who ruled us before him; simply the OFFICIAL PREVENTIVE PRISON , to which the INTER-AMERICAN COURT OF HUMAN RIGHTS ordered MEXICO to address that issue and move towards the protection of human rights by getting rid of that legal figure, and I repeat, being a completely binding resolution, is that, Today, it is debated by our clumsy MEXICAN JURISTS and also by the deluded SECRETARY OF THE GOVERNMENT , as well as by the PRESIDENT , whether we should obey what was imposed on us through a mandatory and binding resolution, or we decide motu proprio to disobey international norms and as always “A MEXICAN WAY” give and/or pretend and/or pretend and/or simulate its fulfillment to deceive as always foreigners and the international community in general, unfortunately this is the thinking of my people, so much so that The PRESIDENT himself and the POLITICAL CLASS of my country behave, speak, move and generally express themselves in that way, truculently. But anyway, the only reason for this message is to request your support again, so that you can help me and help me understand why the MEXICAN STATE still insists on violating the human rights of us citizens who work. day by day for a future and a better MEXICO for us and our families, because it allows corruption in public institutions, which keeps our people backward, because the MEXICAN GOVERNMENT signs international treaties that it is simply not going to comply with, it is It is incredible that one, as a person and a worker, must still have to go through all this and do what I do, simply so that my human rights and my individual guarantees are respected, as a citizen and as a worker, and that the Authorities continue with those old things. practices that seem to never end; I'm sorry to involve you in all this, but it is my only hope of obtaining justice in a country where it seems disrespectful to ask for it and even more so, almost impossible to obtain it.

Without further ado, and I am sure that you will know how to process this request, I look forward to your prompt and timely response. Sincerely, C. LUIS ELISEO ARTEAGA URIBE.

WRITTEN PUBLIC COMMENTS SUBMITTED TO PCAST

Section 7: Luis Eliseo Arteaga Uribe.

Written: 9/22/2024

Subject: Se realiza puntual señalamiento por omisiones en que ha incurrido diverso personal de la CNDH
Dear diplomatic observers of the Organization of American States.

P r e s e n t.

I respectfully request your support to make visible this problem related to the institutional corruption that exists in my country, which allows many politicians to violate human rights, just as it has been my case, where neither the Senate of the Republic, the Congress of the Union, the Attorney General's Office and even the National Human Rights Commission, acted accordingly, when I was aggrieved by the authorities of the Government of the State of Tlaxcala.

It is important to note that I am just a citizen who has been forced to confront his government, which, at all costs, has been trying to cover up what they have done to me, from censoring me through my social networks, How to pay media outlets to publish things against me or simply to ignore me, thus silencing everything related to my case; It is very regrettable that a government acts against its own people, all for telling the truth about what is happening in Mexico. Believe me when I tell you that I am just a simple citizen, I do not wish anyone harm and I do not intend to cause any trouble, I am only seeking justice and to be able to live in peace.

For this reason I ask for your support to make my case visible, and that together you can work with Mexico, This is so that it can gradually change its policy towards one that is more protective and guarantees human rights; otherwise, my country would continue to be condemned to live in backwardness and the massive violation of all the Mexican people, which is how it has been until today, Because every new government we have in my country only sees how to take advantage of us as individuals and explore our natural resources excessively.

In light of these considerations and confident that I can count on your full support, I cordially bid each and every one of you farewell.

Sincerely

LUIS ELISEO ARTEAGA URIBE.

WRITTEN PUBLIC COMMENTS SUBMITTED TO PCAST

Section 8: Tianwei Li

Written: 10/11/2024

Subject: To the PCAST, regarding advanced propeller technology

I am writing to introduce a simple fluid machinery technology tentatively named "Stereoscopic Propeller." This technology has significant implications for transportation and energy infrastructure, and I would like to recommend it for your consideration.

If you find this technology to be of value, I kindly suggest that you explore its application and potential development.

Thank you for your attention to this matter.

Sincerely,

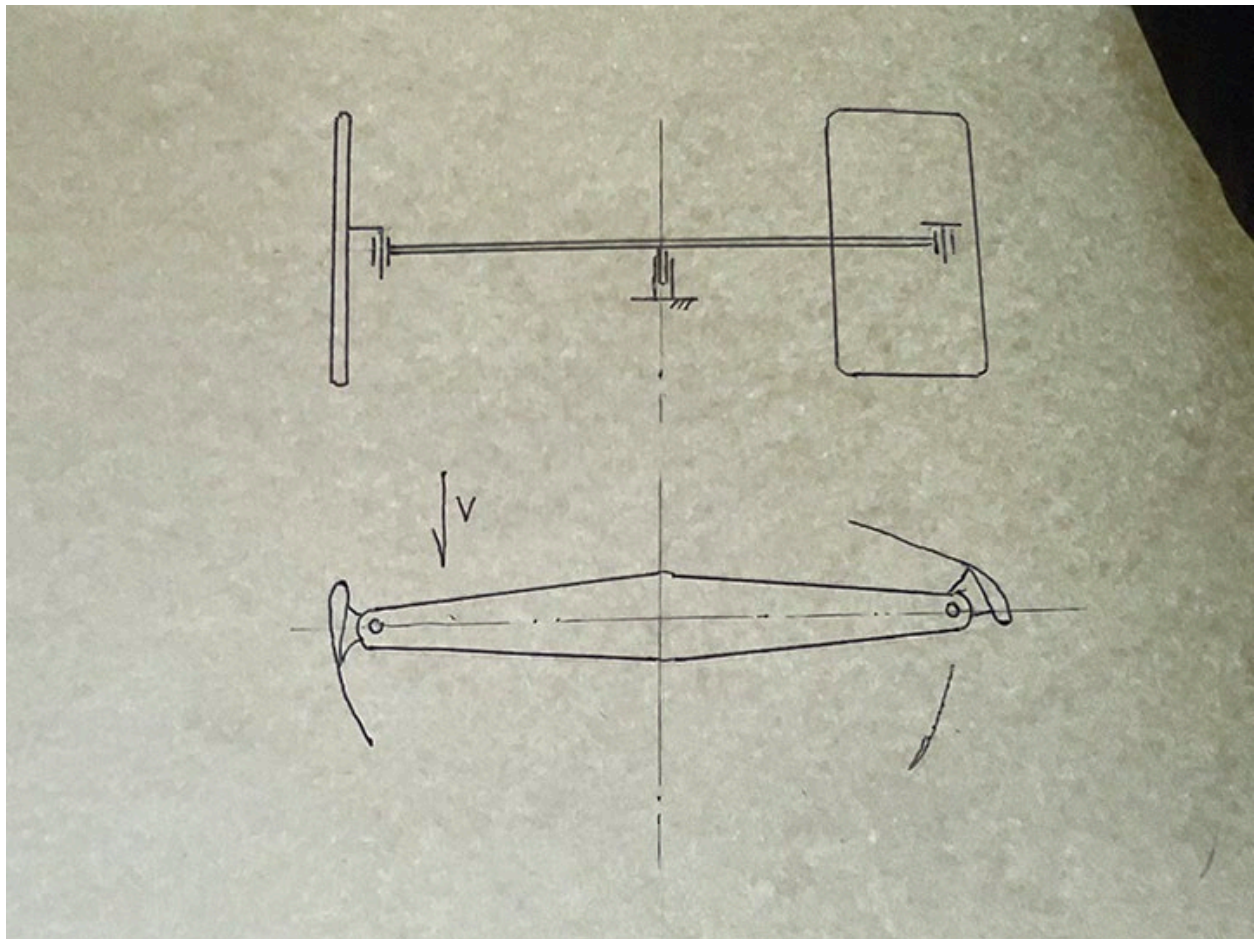
An elderly man from China

See content on following page

Stereoscopic Propeller

The ability of birds to fly freely is the result of millions of years of biological evolution. This technology derives from a Chinese engineer who has analyzed the flight trajectories of bird wings and optimized the airfoil shape of the blades using modern fluid mechanics, resulting in the development of the "Stereoscopic Propeller."

The Stereoscopic Propeller utilizes the airfoil shape of traditional propellers, controlling its regular rotation around an axis. Each complete rotation of the blades mimics a bird flapping its wings. Visually, this propeller system can be conceptualized similarly to a wheel that rolls within a fluid.



The advantages of the Stereoscopic Propeller are significant. When powered for rotation, it occupies a smaller vertical footprint compared to traditional propellers, while maintaining their equivalent power and efficiency. Conversely, while operating in a passive state, it can occupy a larger area. This versatility enables broader applications for the Stereoscopic Propeller.

Propellers are not low-tech; they are essential for many flying and swimming technologies. Modern artificial intelligence devices that interact with fluids also rely on propellers without needing to alter the molecular structure of the fluid.

The Stereoscopic Propeller has multifaceted applications. Specifically, it can facilitate the development of the following products:

- A. Flying cars, or vehicles suitable for both land and air.
- B. Flying ships, allowing aircraft carriers to operate above the water surface.
- C. Wind turbines, making widespread utilization of wind energy possible and enabling the transformation of deserts into arable land.
- D. Water turbines that can generate electricity from flowing water.
- E. Agricultural and firefighting robots.
- F. Swarms of unmanned aerial vehicles, which can be deployed for disaster management and conflict prevention.
- G. Photovoltaic airborne systems designed to capture solar energy above water surfaces and in high-altitude cloud layers.

As humanity ventures into space, the development and utilization of near-space resources remain limited, and the exploitation of oceanic and surface resources is inadequate. Rapid advancements in technology, such as hydrogen energy, power batteries, and solar energy, as well as the mass production of synthetic materials like carbon fiber, create favorable conditions for the application of the Stereoscopic Propeller.

The Stereoscopic Propeller represents an improvement over traditional propellers. This incremental technological advancement is akin to equipping humanity with a pair of wings.

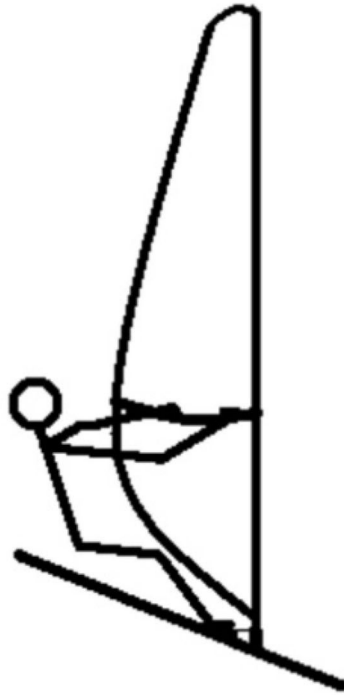
Li Minxin
2024

Propeller II

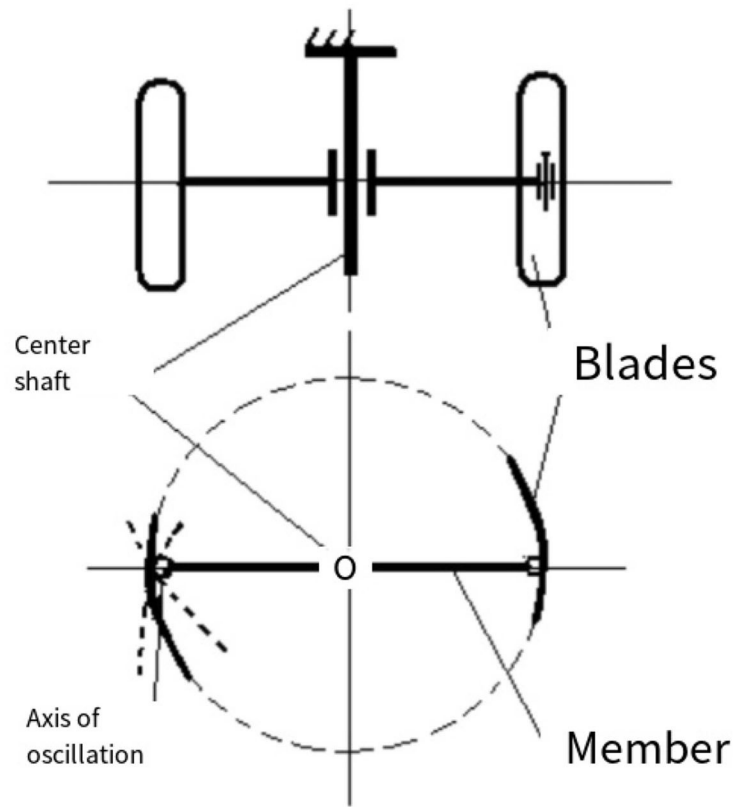
Lee Min-shin

For humans to achieve bird flight mode, major structural changes would have to be made to the current propeller setup. This is the propeller II device we present below.

The bionic principle of propeller II is described as follows: it pulls the heart of a bird, causing the bird to spread its wings and fly around a circular orbit; Similar to how a windsurfer maneuvers a boom (a lateral handle) and spins in circles across the water.

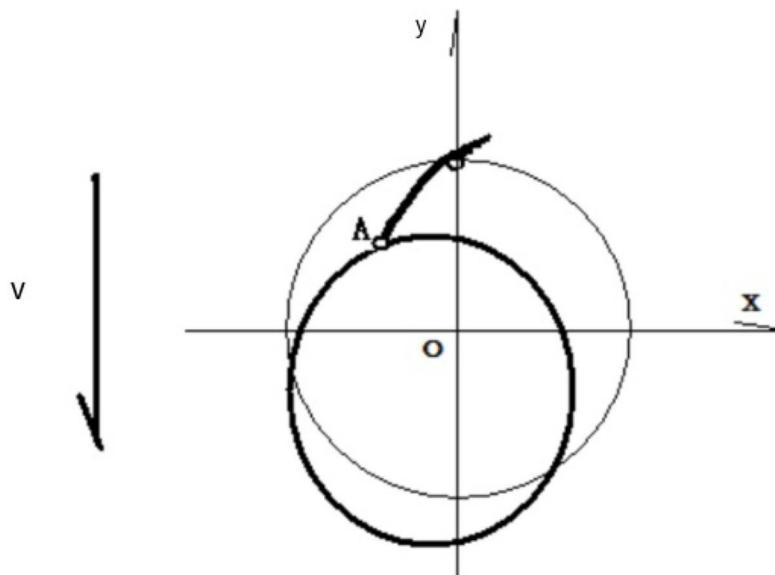


The hydrodynamic principle of propeller II is established by hinging the pressure center line of the airfoil blade so that the airfoil can rotate around a central axis parallel to its pressure line. Its basic schematics are as follows:



The airfoil theory, which uses lift as the main power source, is the theoretical basis of modern propeller and also the theoretical basis of propeller II.

A point of the blade (The motion rule of AD can be depicted as the following figure:

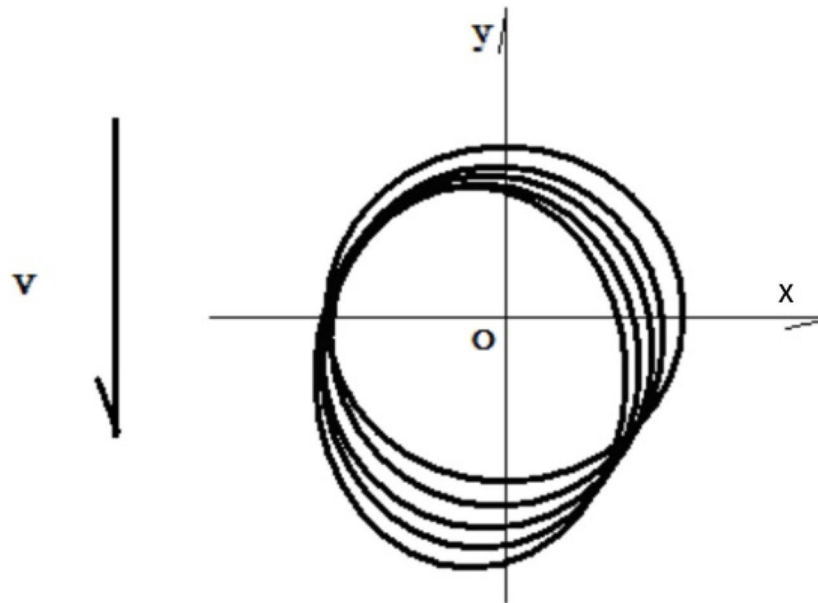


This curve is related to the flow of the fluid (X.YL)

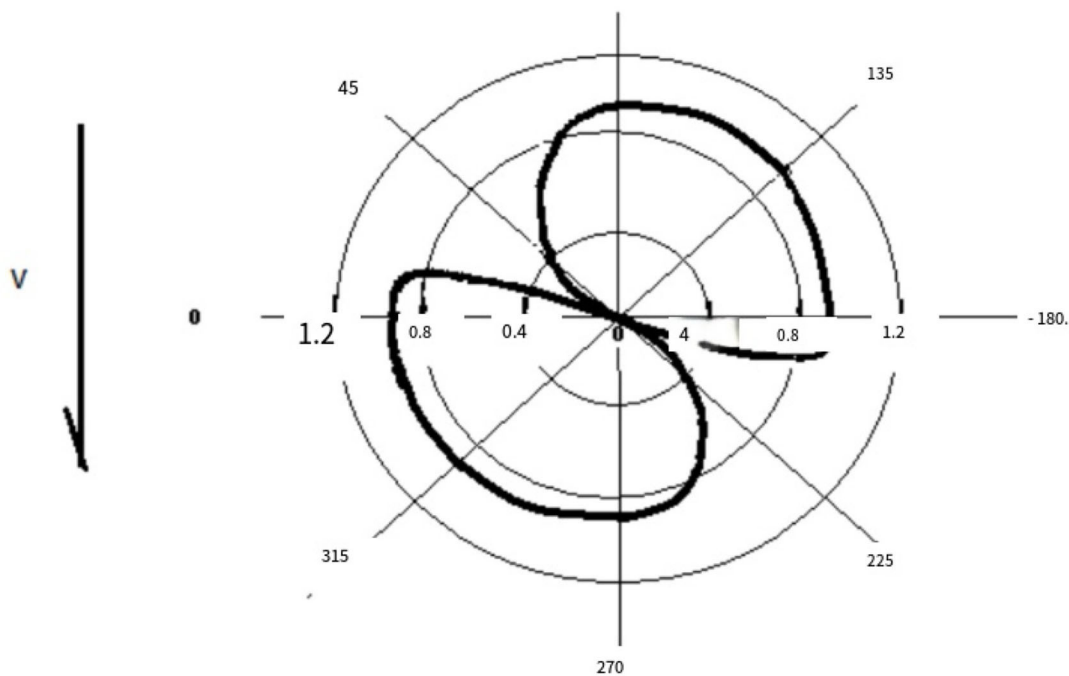
□ □ Flow rate (V the speed of the impeller the chord length of the blade (cl) and the radius of the impeller (r).

$$n F(x,y) = fA (v, n, c, r)$$

In passive operation, the trajectory of the blade is also related to the external output. When the load is infinite, every point on the blade is approximately a circle; Gradually increasing the load, the trajectory also forms a curve family.



When each point of the blade presents a circular trajectory, the flow state of the fluid is equivalent to the flow around a two-dimensional cylinder. The pressure distribution is symmetric, and the resultant force is zero in both the x and y directions, which is the D'Alembert problem in theory. The blade trajectory gradually moves down, and the energy exchange begins. The following is the curve of the maximum thrust coefficient of the blade in the airflow during one revolution:

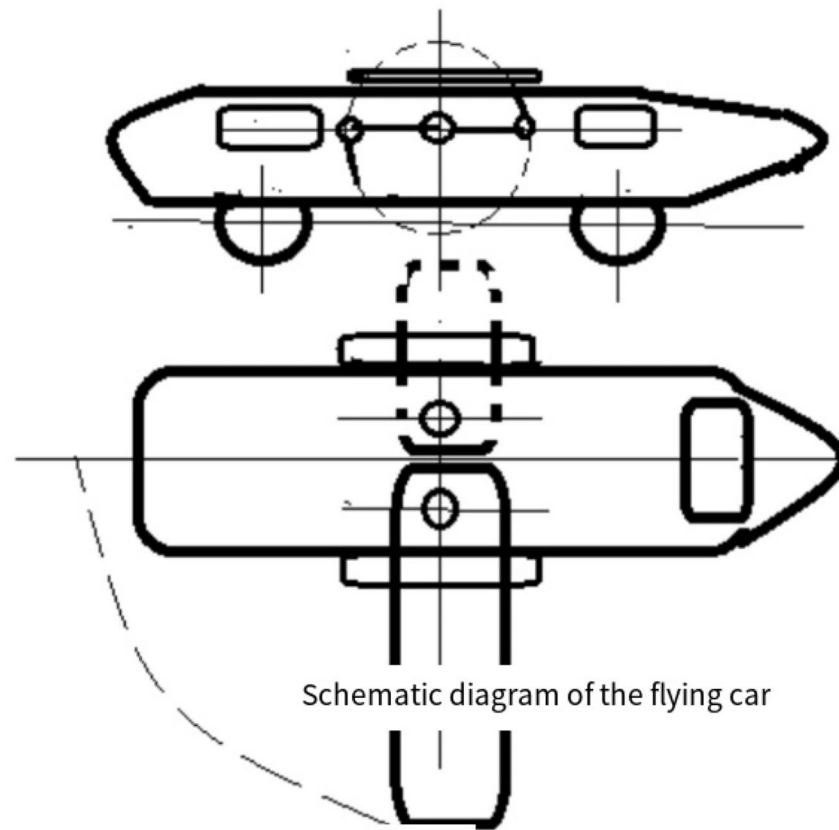


The figure above shows that when the propeller II is in passive motion, the change in the blade Angle of attack is conducive to the fluid force driving the rotation of the propeller II, which is automatically achieved by the device in the fluid.

The efficiency of propeller II in fluid also follows the Baez theory, that is, the maximum theoretical efficiency is 59.3%. It has also been tested to achieve a maximum efficiency of more than 30%.

The difference between propeller II and traditional propeller is that the blade is liberated. And it is this little bit of liberation that can expand the application range of traditional propellers. At present, propeller mouth can develop the following four categories of products:

- 1 □ Propeller-mouth aircraft. With additional power, start the propeller mouth device, scientifically control the blade attack Angle, and realize the flight mode of birds in the air. For example, the flying car of the future can use the propeller II device.

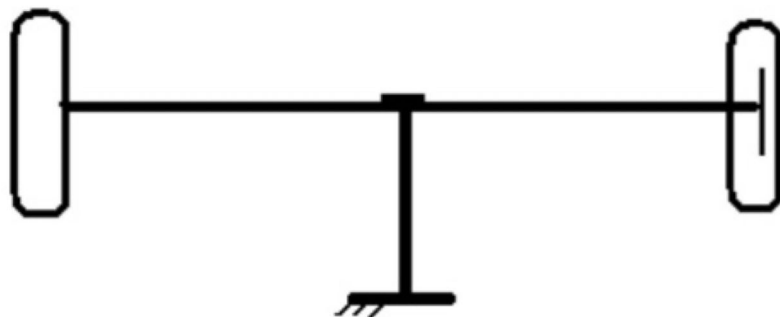


National defense will also play a big role in realizing people's war in near space.

II. Propeller II water turbine. This is an open-flow, submersible, vertical-axis turbine (already tested). To install this kind of turbine, there is no need to build DAMS, emigration, or engage in hydraulic structures such as workshop, ship, fish and sand prevention; It is not limited by water depth and flow rate, does not affect the ecology, there is flowing water can generate electricity; Single power can be from hundreds of watts to several kilowatts or even thousands of kilowatts, its efficiency is much higher than the traditional open-flow turbine; Its structure is simple, and there is no risk of runaway speed; The focus of the project is equipment manufacturing, so the construction cycle is short, the cost is low, and the effect is fast. Big rivers are energy belts. This is of great significance for the development of abundant clean and renewable low-head water energy everywhere, especially the development of tidal energy and ocean current energy along China's 18,000 km coastline. If it is installed in the Yellow River channel, it can also stir up sediment at the same time, and play a role in reducing the height of the river bed.

Three, propeller mouth vertical axis wind turbine. This technology can be used to make a new class of vertical axis wind turbine, which is an innovation of China's ancient vertical axis windmill. The device can automatically meet, self-start, automatically adjust the blade Angle, and automatically avoid the strong wind; Within the design range, it can also automatically adjust speed and automatically adapt to the load. Compared with the existing kinds of vertical axis wind turbines, its advantages are low starting wind speed, no maximum shutdown wind speed, wide available wind speed, high efficiency and automation, the tower can be lower, safe and reliable. This creates conditions for wind energy to enter tens of thousands of households; It can be built in vast areas where the average annual wind speed is more than 5 meters per second

Power station, grid-connected machine group, or the construction of water extraction station, agricultural and sideline product processing station, decomposing water hydrogen production station, compressed air station, fish pond oxygenation station, seawater desalination station, etc.; If it is used in street lighting, it can occupy the wind-solar complementary market. In addition, there is a vast desert area on the earth, it is almost impossible to use conventional energy to transform the desert in a large area, and with a simple structure and low cost propeller wind energy device, it will be possible to use wind energy to transform the desert in a large area.



Four, propeller port ship propeller. Used in large and small ships, its effect can also be comparable to the traditional propeller.

Propeller port technology can expand the application range of traditional propellers. At the same time, it can promote the large-scale upgrading of fluid machinery products and inject new power into the machinery manufacturing industry.

Human beings can never be separated from air and water, flying in the sky, running on the ground, swimming in the water, all have to deal with air flow and water flow. While understanding the material composition and chemical mechanism of air and water, we should further explore the macroscopic motion law of air flow and water flow, and technological innovation around air flow and water flow should not stop. The mechanism of fluid mechanics is no less than the high-tech in artificial intelligence and other aspects. Since the 21st century, human beings have begun to seize space resources, but the near-space resources are far from being well developed and utilized. As far as energy development is concerned, the present tense of solar energy can meet the needs of mankind. Gradually reducing the development of coal, oil and natural gas is also to protect the natural ecology.

(The article was published in China Machinery magazine in 2014. This is a condensed version



WRITTEN PUBLIC COMMENTS SUBMITTED TO PCAST

Section 9: Scott Kilroy (Consolidated Emails)

Written: 9/5/2024

Subject: Insecure phone calls to all U.S. Cardinals in 8 weeks.....tours & Papal gifts

Intelligence technology recommends insecure phone calls to all the U.S. Cardinals in 8 weeks. The topics at least include me requesting Pope Francis' approval of:

- +AI standards[AI software; AI hardware; AI datasets] to be controlled at the Vatican by Roman Catholic priests. This is better security to have Roman Catholic priests do this.
- +U.S. Cardinals historical touring of "step across transport" systems at U.S. Military bases.
- +Papal gift coordination[air-float-semi-stable soccer ball and additional].
- +Creating a board of directors supporting NotAbortive Catholic Solutions. The more U.S. Cardinals being members of this board the better. Maybe they should rotate if schedules are busy? The equivalent company or effort done in every willing country globally?
- +Newer, lower cost, medical sensor booth based on neuroscience[add muscle position mapping; add blood flow mapping]. Maybe use in a Catholic pastoral setting and medical setting? Example: "Nobody born homosexual" visual demonstration. Example: marriage class NFP visual demonstration. Example: homeless ministry. Example: first aid in education.

Written: 9/6/2024

Subject: Re: (ODNI)Office of the Director of National Intelligence: commercialization affecting sports National Football League Foundation

I am helping the (ODNI)Office of the Director of National Intelligence with some commercialization that affects sports. This likely includes the (NFL)National Football League. There are various advanced physics safety equipment in release. I recommend e-mailing, calling, and walking-in-office(bring paper copies of e-mail) with: Sen. Warner, Sen. Rubio, Rep. Turner, Rep. Himes, previous University of Notre Dame President Rev. Jenkins, Roman Catholic Cardinal Dolan, and Roman Catholic Archbishop Broglio.

Please note I e-mail the U.S. House and Senate Intelligence Committee's on almost all my communications. Additionally, I will resend this e-mail momentarily with my larger security mark.

I intend to call your listed phone number in 8 weeks. Hopefully this information is current from your "Annual Filing for Charitable Organizations." Only if needed I will give a phone call and ask to get the main NFL corporate number 411 offers.

WRITTEN PUBLIC COMMENTS SUBMITTED TO PCAST

Written: 9/8/2024

Subject: Congratulations Robert K. "Kelly" Ortberg, Boeing President and Chief Executive Officer
[PRESIDENT BIDEN AND VICE PRESIDENT HARRIS EMAILED VIA WHITE HOUSE (OSTP)OFFICE OF SCIENCE
AND TECHNOLOGY POLICY]

Robert K. "Kelly" Ortberg,
The Boeing Company President and Chief Executive Officer;
[Please give to Kelly Ortberg's office.]

Congratulations Kelly Ortberg on being the Boeing Company's new President and Chief Executive Officer.
Hopefully Pope Francis approves of all our future work soon. Again, we hope to partner with Boeing.
Various ideas I have e-mailed about already. Additionally, we hope to have your continued support.

Written: 9/8/2024

Subject: [ADDITIONAL EMAILED] Re: Boeing Technology Licensing & paperwork & timelines

The Boeing Company Licensing;
Robert K. "Kelly" Ortberg, President and Chief Executive Officer;
The Boeing Company Board of Directors;

I am helping the (ODNI)Office of the Director of National Intelligence, U.S. House and Senate Intelligence
Committee's, U.S. Military, NATO, and the UN Peacekeeping Forces with some commercialization, and
building a future company. Also, I am under the impression that the U.S. Military's "Step Across
Transport" && "Space Emergency Escape Equipment" is in release and to be leased by the future
NotAbortive Catholic Solutions. Do you need paper work from us to license the technology?

ADDITIONAL DETAILS

Some call the technology "portal systems," however, we call them "step across transport" systems.

I am told this might now immediately, or by 2028 be available to be licensed by Boeing or other major
(DOD)Department of Defense contractors?

Intelligence technology controlled me to send a letter to the Boeing Company's board of directors via the
Audit Committee. I sent in a letter approximately 11/8/2023. Several letters I have sent since possibly
2008.

WRITTEN PUBLIC COMMENTS SUBMITTED TO PCAST

SECURITY

Please help with more secure individual-via-individual paper copy(non-digital) delivery of this e-mail to all those listed.

Please confirm with all those listed this information is accurate? I recommend this at least include: the (ODNI)Office of the Director of National Intelligence, U.S. House and Senate Intelligence Committee's, U.S. Military, NATO, and the UN Peacekeeping Forces.

EMAIL

Please note I e-mail the U.S. House and Senate Intelligence Committee's on almost all my communications. I will resend this e-mail momentarily with my larger security mark and larger government official list.

POPE FRANCIS ALLOWING TOURS SOON

My guess is Pope Francis will approve of all this soon. Also he will allow U.S. Roman Catholic Cardinals to tour these devices working. This hopefully will be done in all willing countries of the world. I am told the Boeing Company is recommended to offer tours and technology demonstrations to Pope Francis and the U.S. Roman Catholic Cardinals.

Written: 9/10/2024

Subject: WEBINAR EVENTS: NIST AI Metrology Colloquia Series

Intelligence technology has me writing at this level of detail. I hope to attend some or all of these NIST webinar series.

AI Metrology Colloquia Series

As a follow-on to the National Academies of Science, Engineering, and Medicine workshop on Assessing and Improving AI Trustworthiness ([link](#)) and the National Institute of Standards and Technology (NIST) workshop on AI Measurement and Evaluation ([link](#)), NIST has begun hosting a bi-weekly AI metrology colloquia series, where leading researchers share current and recent work in AI measurement and evaluation.

This series provide a dedicated venue for the presentation and discussion of AI metrology research and to spur collaboration among AI metrology researchers in order to help advance the state-of-the-art in AI measurement and evaluation. The series is open to the public and the presentation formats are flexible, though generally consist of 50-minute talks with 10 minutes of questions and discussion. All talks start at 12:00 p.m. ET.

WRITTEN PUBLIC COMMENTS SUBMITTED TO PCAST

Information on viewing the series can be found here.

Please contact aime@nist.gov with any questions, or to join the AIME mailing list."

Written: 9/16/2024

Subject: Medical sensor booth & papal gift & meeting

Dan,

We should briefly talk neuroscience based medical sensor booth's[including muscle position mapping & blood flow mapping & thin coats on sensors] maybe in December or January? Also, a few more details on a gift for Pope Francis we should discuss. Papal approval will be hopefully semi-soon.

I like strong safety practices. Would you mind talking to the FDA CDRH, and additional if needed?

Example: Any concerns after adding a thin coat?

How's your schedule December or January to have a short meeting?

Written: 9/19/2024

Subject: [[ADDITIONAL EMAILED][ADDED TEXT]Re: booster

Intelligence technology has me writing at this level of detail.

I recall this previous year I obtained a bivalent SARS-CoV-2 COVID-19 booster vaccine and additionally a seasonal flu vaccine. I intend to call tomorrow on the phone tomorrow [9/13/2024], reconfirm my memory, and clarify what Coastal Care Pharmacy offers. Only if my memory is wrong, I will walk-in-office["Coastal Care Pharmacy"] tomorrow[9/13/2024].

Otherwise, I intend to get these vaccines next week on 9/19/2024. Also, I intend to call [on 9/19/2024], and verify a short wait. Likely the same day I will walk-in-office similar to previous years.

Again, my lifelong Roman Catholic Church fellow member advertises their "Coastal Care Pharmacy" business in our SSJ Church[>www.ssj.org<] bulletin.

"FDA approved and authorized the 2024-2025 mRNA COVID-19 vaccines on August 22, 2024. FDA authorized Novavax COVID-19 Vaccine, Adjuvanted (2024 – 2025 Formula) under Emergency Use Authorization on August 30, 2024."

"Recommended COVID-19 Vaccines

Three vaccines are available for use in the United States.

2024–2025 Moderna COVID-19 Vaccine

2024–2025 Pfizer-BioNTech COVID-19 Vaccine

2024–2025 Novavax COVID-19 Vaccine"

I likely will get the Pfizer-BioNTech COVID-19 Vaccine.

WRITTEN PUBLIC COMMENTS SUBMITTED TO PCAST

Written: 9/21/2024

Subject: [EXTERNAL] [ADDITIONAL EMAILED]. Re: President Crawford, I hope all is well

Miami University President Crawford,

I hope things are going well? I see the University of Notre Dame football team playing against Miami today[9/21/2024]. I recommend asking the previous University of Notre Dame President Rev. Jenkins, current Rev. Dowd, Rev. Oliver Williams, Rev. Lies, Rev. Groody, Rev. Kimes, and additional about the status of these commercialization projects. Pope Francis will hopefully approve of the many projects and tours soon.

These are a few of the projects mentioned and quick updates...

AI

Newer (AI)artificial intelligence talking devices I hope Pope Francis approves standards for. Global Roman Catholic information management would likely be better with centralized [at Vatican] advanced systems like in the world's militaries. A comprehensive solutions is needed. The U.S. Military recommends a comprehensive solution just to support Pope Francis alone. All Catholic Universities and Colleges could contribute annually stable datasets to this. New research papers could be defended by those whom wrote them, and datasets they generate. Additional computer systems to support all Roman Catholic priests could be an extension of this. Stable datasets and development datasets like commonly done in software engineering might work. Archbishop Broglio and chaplains in the U.S. Military will benefit likely from this.

Pope Francis hopefully will have physics string computers built at the Vatican. Please mention this to other Roman Catholic physicists.

All globally approved Roman Catholic organizations by Pope Francis could have datasets on these computer systems. Lay systems then are also easily are built on top of quality Vatican work.

The Vatican Pontifical Academy of Sciences will hopefully have more AI related events soon. The U.S. Military recommends "large-scale-system integration with AI software/hardware/datasets" being discussed is one example. AI software that does "weigh through" with "expected value math" is recommended by the U.S. Military. Conclusions are important to ethically give people[example: the value of human life]. More secure paper copy delivery of AI transcripts by Roman Catholic priests is smarter security. Digital networks get hacked historically.

WRITTEN PUBLIC COMMENTS SUBMITTED TO PCAST

The Rome Call for AI Ethics[romecall.org] could easily have many more big events globally. Inter-religious research, including religious universities & seminaries or equivalent, likely need a comprehensive set of computing systems integrated. Possibly they all, each respectively, annually, send updated dataset copies to the Vatican. Roman Catholic priests controlling datasets at the Vatican seems wise for better security.

The U.S. Military recommends Roman Catholic Cardinals helping with (TEVV)Testing, Evaluation, Verification and Validation. This might be needed in almost all countries globally long term. The Vatican Congregation of Doctrine and Faith combined with Pontifical Academy of Sciences and Pontifical Academy of Social Sciences might also want a combined effort. They possibly need a set of Cardinals under them doing this TEVV task or similar. Semi-autonomous review only. Fully automated review is lesser security and more dangerous of being hacked. Every Vatican organization, Roman Catholic researcher, all interested government law maker, Roman Catholic organization, Roman Catholic parish & staff, and additional needs TEVV review... kinda.

ADVANCED PHYSICS SYSTEMS

I hope to see all the world's willing countries, their respective Catholic Cardinals, tour [internal military's bases mostly?] the advanced physics "step across transport" systems in historical release. The Boeing Company might be offering early currently working devices to do public demonstration around the timing of the Los Angeles 2028 Olympics. Pro-life is pushed by faster transport times to the Moon, Mars, interspace, and beyond. I'm told human housing capacity affects U.S. Military numbers, and all militaries.

Again, much advanced physics safety equipment in release. There are intended gifts to Pope Francis with advanced physics demonstrations. Ask ND about this and maybe you are interested in helping with this? Creating physics fields on matter I hope Pope Francis approves broadly to use.

TIMELINES

The U.S. Military controls the timing of this commercialization happening. I'm told bigger meetings allowed likely in 2026 after "boots are on the moon".

E-MAIL

Again, please note I e-mail the U.S. House and Senate Intelligence Committee's on almost all my communications. Additionally, I will resend this e-mail momentarily with my larger security mark and larger government official list.

Written: 9/26/2024

Subject: [EXTERNAL] [ADDITIONAL EMAILED] [EMAILED U.S. CARDINALS]Re: getting more Roman Catholic priests[particularly Cardinals] @ NIST events NASA events..... and additional

WRITTEN PUBLIC COMMENTS SUBMITTED TO PCAST

Please review this. Intelligence technology recommends me mention the topic again. I hope Pope Francis agrees to send Roman Catholic priests to more technology events related to prolife. These are some related to these commercialization projects at the U.S. level especially including at creating standards at NIST. Also, creating architectures to implement at NASA[where to put Cathedrals?]. ISO[www.iso.org] at the UN level likely has periodic events also along with UN OOSA. Some obvious additional include: UN WHO (CMA)Catholic Medical Association, FDA CDRH, IEEE[www.ieee.org], American Medical Association, and additional

Written: 10/2/2024

Subject: Scheduled phone calls to then make scheduled phone call

All House and Senate Intelligence Committee Members,

I hope that soon various people and organizations are allowed to be coordinated with that are not possibly currently allowed. Two-way communications seem wiser to pursue to have more clarity. Intelligence technology particularly has mentioned scheduled phone calls to then make scheduled phone calls.

Written: 10/16/2024

Subject: [EXTERNAL] International AI Standards Summit 14-18 October 2024 New Delhi, India

What is the International AI Standards Summit ?

Building on the momentum of the AI for Good Global Summit 2024 and led by ITU, ISO and IEC, the International AI Standards Summit brings together leading voices driving AI standards and the world's standards bodies to work on responsible, safe, and inclusive AI standards.

Annual International AI Standards Summits are now planned to answer the call from the global community, the G20 and the United Nations High-Level Advisory Body on AI for comprehensive and impactful AI standards.

The 2024 International AI Standards Summit will take place from 14 to 18 October in New Delhi at the World Telecommunication Standardization Assembly (WTSA-24). The five-day event will hold its first session as part of GSS-24, and additional sessions will take place at the Digital Wave Stage, the Network of Women, and will conclude at AI for Good Impact India on 18 October 2024.

Written: 10/24/2024

Subject: Re: [ADDED SECURITY MARK] Re: Rev. Kubat nice meeting you at the CMA virtual rosary & question

WRITTEN PUBLIC COMMENTS SUBMITTED TO PCAST

Rev. Kubat,

Nice meeting you at the (CMA)Catholic Medical Association virtual rosary the previous few months. I have enjoyed them. I want to introduce myself more thoroughly, and I have a request. I recommend asking Archbishop Broglio, University of Notre Dame President Rev. Jenkins, Cardinal Dolan, Bishop Vann, and additional about who I am and what I am doing. Basically, I am going to put a future company together that supports the U.S. Military chaplains, U.S. Military Health System, U.S. Military Judge Advocate General's Corps, and much additional. Only if Pope Francis approves, this will be done. Newer (AI)artificial intelligence talking devices, newer wireless biomedical technology, advanced physics transport systems, newer lower cost Neuroscience based medical sensor booth, and much additional are in release.

I have a request from you, if you don't mind helping? Possibly I didn't a good job introducing myself to recent CMA leadership. However, I have been e-mailing the CMA since at least 2015 under Ruppertsberger. I just got an e-mail from the (CMA)Catholic Medical Association that mistakenly viewed my e-mail "advocating" to Congress. Really, I am just sharing the news, and I am not "advocating" to Congress. I believe the U.S. House and Senate Intelligence Committee's view this as not "advocating" like a lobbyist. There is a large list of government officials I do regularly e-mail.

I recorded a voicemail at your publicly listed phone number

God bless,

Scott

--

Scott Kilroy

CEO & President

NotAbortive Catholic Solutions (looking to incorporate): Biomedical technology & more

phone(temp): (714) 486 1282

office: Looking in Santa Ana, CA.

><http://www.notabortive.com>< (in construction)

“How to justify God.”

First Mover Argument: The first way is by considering motion in the world. Where there is motion, there is a mover and ultimately a first mover, itself unmoved. This is God."

----"A Tour of the Summa"

WRITTEN PUBLIC COMMENTS SUBMITTED TO PCAST

Section 10: Anna Orloff (Consolidated Emails)

Written: 10/10/2024

Subject: Baltic Sea - To USA Government

As far as i remember the conversations in the kindergarten of the city of Riga, when i was 5 years old, the Baltics together with Iran, under the pretext of gold mining, off the coast of Latvia, and maybe in other places, are breaking through the bottom of the Baltic Sea to the abyss, after which the water of the Baltic Sea together with the water of the World Ocean goes underground. is it true - as far as i remember - that the king of Iran together with the Baltic governments connected America to this and other global world catastrophes, which hopes in this way to destroy Eurasia and remain the only inhabited continent on the planet? must disappoint you: after the waters of the Baltic Sea go into the abyss, the explosion will be so powerful that not only will nothing remain of Eurasia, but of the Americas too.

Thank You.

Written: 10/10/2024

Subject: All of You

All of You together don't have the strength to save people from a thousand terrorists on the planet?

Written: 10/10/2024

Subject: German Rurik

In kindergarten, when I was about 6 years old, the king of Iraq came up to me and said: when Russia finds out everything about you, daughter of Herman or German Rurik, king of all of Eurasia, Africa and China, not just Rus', it will take skin off the Baltics, Sweden and Iran alive. Please, give Iran to us, Iraq, we want to eat too, this ***** Iran has been starving us for a long time."

if I am Rurik, please, give Iran to Iraq. and if not, please too.

if Iraq promise not to eat hedgehogs.

Thank You.

But if I really am the daughter of the king of the entire hemisphere of Earth, German Rurik, but not just sacrifice Jesus Maria Christ of Baltics, please, I have a small favor to ask of You: **** **

Written 10/10/2024

Subject: Fwd: Dear sir, mr. Russell Brand!

Dear sir, mr. Russell Brand!

Vilis Lacis, "The Fisherman's Son".

WRITTEN PUBLIC COMMENTS SUBMITTED TO PCAST

Who, how do You think, killed pregnant Zenta?

Thank You.

Forwarded -----

Someone told me in kindergarten, maybe my step - sisters: what, fly away along your nose your dear millionaire Russell?

As I understand, exactly this man, mr. Russell Brand, was planned to be my husband, correct?

I am such a haram to him!

Thank You.

Forwarded -----

Dear sir, mr. Russell Brand!

A small opinion of a Muslim woman.

I has briefly watched Your video interviews.

In order to know, where Paradise is, You need to know, where Hell is.

You know, what hell is, judging by Your desperate attempts to write a good book "Liberation. Freedom from Addictions".

Please, when You have time, read the book by Vilis Lacis, "The Fisherman's Son".

Don't You think American quasi-culture is spreading across the planet, like a cancerous cells?

Thank You.

Written: 10/10/2024

Subject: Son

After asking to give Iran to Iraq, the king of Iraq told me in kindergarten: "And I will give you my son for this," and cried bitterly.

Please, attention!

Immediately free all Your sons from any matrimonial obligations to me!

I am not interested.

What am I to You, a dragon devouring virgin - boys?

Written: 10/11/2024

Subject: Important!

America, do You have scurvy? Judging by not very healthy smiles in the video with a large crowd of smiling people.

An old recipe, the best cure for scurvy, which the writer Jack London already knew about:

please, eat one raw potato a day.

WRITTEN PUBLIC COMMENTS SUBMITTED TO PCAST

To make it tastier, grate the potato on a fine grater and mix it with squash or eggplant vegetarian caviar, the photo of the caviar is attached from the Internet.

It will be very tasty, and You will be cured instantly.

For babies You could mix it with baby food puree.

Thank You.

And please, stop drones!

The photo is attached from the Internet. Drones are now put to the service of armed terrorists in Latvia,

You are all in ass now!

Thank You.

Written: 10/11/2024

Subject: Japan

Japan was also in alliance with the Baltic states, Iran and Sweden, wasn't it?

China and Russia, dear ones, could You, please, take over Japan?

And immediately stop the abuse of live fish and animals there, eating them alive and roasting them half-alive, watching the fish screaming silently with its living head while its half-fried body is being torn apart with forks!

Also, please, roast everyone behind this abuses half-alive in the same way!

Thank You.

Friendly superpowers should be here on Earth, blood brothers to each other, not **** freaks - terrorists - ju!

Written: 10/11/2024

Subject: Latvian Police

I remembered : in kindergarten that boy, the future general of the Latvian Army, said the government of Latvia will try to put all the blame for terrorism on the Latvian police and my Kroft, but this is only partially true, because there will be two police: the Latvian terrorist police and just the police of Latvia with my Kroft, which is not guilty of anything, but only I will be able to say this to the whole world.

Thank You.

Written: 10/11/2024

Subject: Also

Also boy said the entire police force of Kroft will freeze to death along with the young children, just like me.

WRITTEN PUBLIC COMMENTS SUBMITTED TO PCAST

And would freeze us Rihards Kozlovskis, the Chief of terrorist police, second cousin (?) of Valters Zatlers. Also, that the Latvian Army is in the same situation, two armies, "ask them not to bomb us, terrorists will cover themselves with us."

Written: 10/11/2024

Subject: Terrorists

And also that boy said Valters Zatlers created his terrorist group against me, Romanova, because he says he wants to give the Baltics to Germany, and Germany sponsors him, but I, if someone will manage to save me before terrorists destroy me, will give the Baltics to Russia, and that he and the terrorists are sponsored by Germany. but that this is not true, he does not want to give the Baltics, Iran and Sweden to Germany, he wants to become great kings himself with his sons, and soon destroy Russia, "Go East" - his credo, and that Germany never sponsored him. but that oncologist Georgiy "has even Zatlers got by the balls, knowing, that Zatlers is not a Latvian, but a sect of castrates, Russia, a secret Sweden prince or something (?)".

Written: 10/11/2024

Subject: Siberia

Also that "first Georgy and Zatlers will destroy Siberia, Russia, and Korea will help them with this".

Written: 10/11/2024

Subject: Melkhisedek killed

Oncologist Georgy said to Valters Zatlers in kindergarten, I accidentally heard: "We are a two-headed eagle, you and me, do you understand? Like the Russian coat of arms, which I will soon pull onto my ass instead of panties! They will remember me, the monkey Ju, who killed Melchisedek for them!"

Written: 10/11/2024

Subject: Korea

Well, since I am Henrick Rurik only child...

Russia, dear, could You, please, be so kind to take control of Korea, no matter how many Koreas are?

We just need an additional outlet to the Pacific Ocean - though, I haven't figured out yet, why.

Thank You.

WRITTEN PUBLIC COMMENTS SUBMITTED TO PCAST

Written: 10/11/2024

Subject: Konigsberg, Alaska

Russia, dear one, please, give Konigsberg, aka Kaliningrad, to Germany, on one condition, that Germany destroys ugly sheds above the bridge, please.

Thank You.

Alaska...

As I understand it, Alaska was a gift to Canaan, a Russian, from his great-grandfather Aztec.

Russians don't need their great-grandfather's gift.

How You wish, dear Great Rus'! 🙏

Dear Lira, please, take Alaska under the protection of our "BeSimMim" foundation, and make a Wildlife Nature Preserve there.

Of course, a closed for people territory forever.

Thank You.

Written: 10/11/2024

Subject: A request, please

I have been asking "Rigas Namu Parvaldniks" for a week to fix the heating failure: 2°C is the temperature at night, and radiators are not working.

But there are no results.

I understood and bought a heater in my room for 31 Euro.

Please, return this money tenfold out of the money of "Rigas Namu Parvaldniks" to my mother, with whose pension money I bought this heater today.

And to everyone human, freezing here in the same maner, also, please.

Thank You.

Written: 10/11/2024

Subject: III World War

That is:

Russia should have bombed Arabia when it finds out, that Muslims all over the world decided to infect king od Great Rus' Pavel Rurik and me, Elizaveta Rurik (that is my birth name, right?) with leprosy, and Muslims would have started bombing Germany, thinking it was Germany, that infected the Arabian Peninsula with leprosy, not Latvia.

WRITTEN PUBLIC COMMENTS SUBMITTED TO PCAST

And all because some freaks in Moscow made themselves a Neskuchny - Not Boring - Garden, in which you definitely won't get bored?

I am Rurik? Me? Dirty poor tortured granddaughter of Lagalian peasant Franz Ivule?

Written: 10/11/2024

Subject: Wait a second...

Wait a second...

A boy ran up to me in kindergarten, I am at about 5 years of age, said: "I am your brother, but today I infected you with brain cancer Tree, Muslims gave it to me for this purpose. Sorry, but I don't need competitors! I am the king of Russia, hold your tongue that I am eunuch, but you are a poor piece of ****!", - hit me in the face with a roundhouse kick with his leg and ran away to Karina Zakaryan, aja Elena Pupkina, a daughter of a dog and a woman, to have ***.

Thank You.

Best regards,

Written: 10/11/2024

Subject: Russian Church

And behind all this there is the Russian Orthodox Church, who knew from Kabbalah they would get their domes gilded for free, m?

Well...

Written: 10/11/2024

Subject: A will

Walters Zatlars told me in the kindergarten: "Don't forget to write a will at the end, they won't be able to save you! We will blow you up."

I have already written it.

For 2 years to You all, dear ones.

Thank You.

Written: 10/11/2024

Subject: Valters Zatlars

Valters Zatlars went on to say: "...we will blow you up, and we will arrest your Kroft and beat him to death, and first we will tear off his balls! Remember your Valka, whose finger you sucked!"

WRITTEN PUBLIC COMMENTS SUBMITTED TO PCAST

Firstly, I am not even asking any of You to save Kroft, and not even because I am disappointed in Your help thank You very much, but because I will greatly humiliate him with this request, and he will out of anger tear something off of himself.

And secondly, it seems to me...

Written: 10/11/2024

Subject: Someone

Someone shouted: "Latvia!", run, and they started shooting...

Where is my Kroft, m?

Written: 10/11/2024

Subject: Then

And when I started to puke, Zatlars grabbed me and tried to hit my head against the train car with all his might, but Kroft managed to save me, stood between my head and the car, and caught me.

Then Zatlars and the actor pulled out their pistols and started shooting Kroft in the groin, back, buttocks, shouting: this is from me to you! and this is from me! and this is for our mistress, the pig, we asked you to **** her, we will make her a queen, she's the only one uglier than us, you will remember us, Muslims, half - fish and half - frog!

Written: 10/11/2024

Subject: Freaks

Jonathan Bennett is half goat. His husband is half squirrel. V. Zatlars is half fish. The actor is half toad. Inta is half pig. Karina Zakaryan is half dog. The boy in kindergarten was half ostrich. Sergey Zorin, my classmate, is half crocodile. Sergey Ignatovich is a yeti. Oncologist Georgy is half chimpanzee...

As I understand it, someone very powerful and rich has set up a horror factory here!

Sponsor, sponsor, freaks!

Written: 10/11/2024

Subject: USA?

Is this Your doing, USA?

Have You decided to destroy Russian like this?

"Ask the Russians for pity, they will kiss pig's ****, just tell them it alive is born!" - who told me?

Dear America!

WRITTEN PUBLIC COMMENTS SUBMITTED TO PCAST

Please, take Your "candies" back out of here immediately, or I will ask Allah, and You all will become half a stool!

Thank You.

Written: 10/11/2024

Subject: An anecdote: American, German & Russian

I don't want to write You anything else.

You know everything anyway.

But I don't want to say goodbye on a sad note, also.

That's why - an anecdote.

An American, a German and a Russian argued over, who would feed honey to a dog, that had eaten too much to the point of hiccups.

The American wanted to open dog's mouth and shove honey in, but the German and the Russian protested: that is violence!

The German wanted to take a piece of German sausage and shove honey inside, but the American and the Russian protested: that is cheating!

The Russian took and smeared honey under the dog's tail.

The dog howled and began to lick the honey off itself.

Russian:

- That is our way! Self-satisfactory and with a song!

Written: 10/13/2024

Subject: Crucifixion

Crucifixion.

In a pioneer camp, I was about 13 years old, oncologist Georgiy and Inta came up to me, Valters Zatlars stood at a distance.

Georgiy and Inta told me,

That I would end my life crucified,

that above my head would be written "Daughter of the Russian Tsar" ("Krievu cara meita"), like Jesus Christ was "King of Jerusalem", (why not Yerusalem?)

that this was the idea of my two sisters, Olga and Tatyana Pronina with Karina Zakaryan,

that they would send me a cross from America, "or rather, two crosses!",

that while I would be hanging, they would cut off both my ***** and roast them on a fire in front of me, that Olga and Tanya were already arguing about who would cut off the right ***** , who the left,

WRITTEN PUBLIC COMMENTS SUBMITTED TO PCAST

and that I could not count on help from the police, billions in gold were stolen from me, and the police got 15% of these billions. Also, that I am in everyone's way, that everyone benefits from my death from illnesses, beatings, hunger and cold,

and that Kroft will hang next to me on the second cross, "there's one soldier here, Kroft, the only one who is trying to save you, his father asked him, but he will not try up soon, "we will castrate him and fry his ***** next to your *****, Maria! Remember the pig and the chimpanzee! But the Muslims hate you more, than we do, your lands are Iran and Saudi Arabia, not Muslim Ju, they are ***** blood out of hatred for you!"

And Zatlars shouted: "And don't forget to remember the fish!"

Written: 10/13/2024

Subject: True

If this is true, and Iran, as well as the United Arab Emirates, Saudi Arabia and/or other countries of the Muslim East, belong by right of blood to me, the great-granddaughter of a Latgalian peasant, then, please, give them to Iraq.

Thank You.

Written: 10/13/2024

Subject:

But Georgia, Armenia and other neighborhood countries, which have become Ju - sified in the last centuries, will now cowardly ask to join Great Rus'?

No, dear ones!

Has the Great Kingdom of the Achmenids degraded?

India has gone completely out of its mind without Your firm hand, basurmans!

Just don't cut Iran off from Iraq, please, You are not the Muslim East, You are the Achmenids!

Thank You.

Written: 10/13/2024

Subject: Achmenids

Ancient territory of the Achmenids.

Attached from Internet: map and photo of the ancient ruins...

Written: 10/13/2024

Subject: Fwd: Well

WRITTEN PUBLIC COMMENTS SUBMITTED TO PCAST

if I really am Bellybutton, Elizaveta Rurik, only blood child of some Great King, please, Lira and the "BeSimMim" foundation, take over the management of my by blood Great Russia and other territories.

Thank You.

If amongst You, who are not my lands by blood, like America, for example, wish to go under Lira and "BeSimMim", You are welcome, dear.

Romanovi, including Pavel Romanov, could go **** themselves

Thank You.

Written: 10/13/2024

Subject: Allah Law

If this is all true, and I am Rurik, then do not be afraid, dear: You have never had a belly button, and I will never be one.

Allah Law is Your belly button!

Written: 10/13/2024

Subject: Constitution

Constitution.

You think: Ju are stupid!

Please, open the Constitution of Latvia and try to understand at least one word!

My IQ 139 is not capable. -

Or because it is too high, or because it is not enough!

Thank You

Best regards,

Anna Orlova / Alif Nuna

WRITTEN PUBLIC COMMENTS SUBMITTED TO PCAST

Section 11: Abhay Pratap Shukla

Written: 10/13/2024

Subject: Ozone hole are the result of the freezing of Atmospheric components (Aerosol, Gases. etc.)

See content on following page

Research Paper.

Ozone hole are the result of the freezing of Atmospheric components (Aerosol, Gases. etc.)

Author :- **Abhay Pratap Shukla**

Email ID :- apshukla7499@gmail.com

ORCID iD :- 0009-0003-4240-7140

❖ Abstract.

The ozone hole found over the Earth's poles, for example in Antarctica, has no connection with the actual stratospheric ozone layer but is closely related to other atmospheric components (Aerosols, Gases, SO₂, NO₂, OH, NH₃, CH₄, SO₃, H₂O, CO₂, HOCl, etc.) as their freezing results in a rise in the level of solar radiation for some time as these atmospheric components absorb or interference UV radiation predominantly after oxygen and ozone layer. When the temperature there reaches the freezing point of the major components, about -70°C to -80°C, then these gases freeze and as soon as the polar vortex ends and the temperature there rises, they again come back to the gaseous state and start interference radiation. Therefore, it is clear that this hole is formed as a result of freezing of atmospheric components.

Because The measurement of Atmospheric constituents is mainly done in three ways, out of which the ground based instruments are Dobson Spectrometer, Ozone Sonde and satellite. The first instrument among these is Dobson Spectrometer which has been measuring the atmospheric constituents since 1920. It measures the atmospheric constituents by measuring the difference between two wavelengths. The second Ozone Sonde is a balloon borne instrument which goes into the atmosphere and measures the atmospheric constituents by the vibrations of electrons received from the air and the satellite measures the atmospheric constituents by the light backscattered by the atmosphere and the basis of all these is Dobson Spectrometer which is the oldest instrument but the ozone layer absorbs light from 230 nm to 290 nm but its main absorption band is in 255 nm. Hence the light after 290 nm is absorbed by other atmospheric components and not the ozone layer.

Therefore, by measuring the light after 290 nm, we can find out the concentration of other atmospheric components (aerosols, gases etc.) because Dobson Spectrometer works on a scale which measures light from A=(305 nm) to D=(317 nm) which tells the concentration of other atmospheric components instead of ozone. And in Antarctica, when the temperature is low or these atmospheric components reach the freezing point, they freeze, due to which they cannot absorb sunlight, due to which the radiation increases there for

some time, such a situation is seen in spring (September – October) when the temperature is lowest there. And it keeps changing its position continuously due to wind and as soon as the polar vortex ends and the temperature starts increasing slowly, these atmospheric components start absorbing or interference radiation again. On the other hand, the temperature in the northern hemisphere is higher than that In the southern hemisphere because that pole is located in the ocean due to which these atmospheric components do not freeze there and keep on absorbing radiation continuously. However, in Greenland and Alaska, the temperature decreases for some time and these atmospheric components can freeze and the radiation increases but this increased radiation does not cause harm, rather the light below 290 nm is harmful which luckily gets absorbed by the Oxygen and ozone layer. Also, the light from 290 nm to 315 nm is the main source of vitamin D i.e. even if this light reaches the earth, it is not harmful But excessive amounts can be harmful to human health. From the above topic, it is clear that ozone hole is the decrease in the concentration of atmospheric Components and not the concentration of the ozone layer.

In addition to ozone, other substances that absorb ultraviolet (UV) radiation include:-

- Water vapor: Along with ozone, water vapor absorbs most of the UVB radiation and all of the UVC radiation from sunlight as it passes through the atmosphere. Oxygen: Normal oxygen absorbs UVC radiation. Carbon dioxide: Absorbs some UVB radiation. Snow: Fresh snow can reflect up to 94% of incoming UV radiation, increasing UV-B radiation near the Earth's surface.

The ozone hole was discovered primarily by the Dobson spectrometer in 1985, but this instrument measures the intensity of light coming from the sun. It would be foolish to call it an instrument to measure the ozone layer, because the solar radiation coming from the sun reaches the earth's surface passing through the atmosphere in which it encounters innumerable gases (air).The remaining solar radiation reaches the surface after being affected by air. You can understand this by taking an example, if the Dobson Spectrometer is located in a polluted city or in a place where the sky is cloudy, then the level of direct solar radiation will be low there, but we cannot call it an increase in the concentration of the ozone layer, rather we have to pay attention to the situation there and we have to ignore such data. Similarly, due to low temperature in Antarctica, atmospheric pollution freezes, resulting in the formation of polar stratospheric clouds (PSCs). These clouds mainly require a temperature of -78°C because carbon dioxide gas directly changes from gas to solid state at this temperature. The melting point of CO_2 is -78.5°C (-109.3°F). However, under normal conditions, it does not exist as a liquid but rather sublimates directly from a gas to a solid.

Key Points on Polar Stratospheric Clouds (PSCs) Formation :-

Temperature: PSCs form at very low temperatures, typically below -78°C (-108°F). Such temperatures are most commonly found in the stratosphere over polar regions during winter.

$\text{SO}_2 + 2\text{OH} \sim \text{H}_2\text{SO}_4$ (Sulfuric Acid)

$\text{NO}_2 + \text{OH} \sim \text{HNO}_3$ (Nitric Acid). * OH is a radical.

Why is the temperature for polar Stratospheric clouds (PSCs) only -78 °C. ---

<u>Atmospheric Gases</u>	<u>Melting /freezing Point</u>
Sulfuric acid (H ₂ SO ₄)	10.31 °C (50.56 °F).
Water (H ₂ O)	0 °C (32 °F)
Bromine (Br ₂)	-7.2 °C (19.0 °F)
Nitrogen dioxide (NO ₂)	-11.2 °C (11.8 °F)
Nitric acid (HNO ₃)	-42 °C (-44 °F)
Sulfur Dioxide (SO ₂)	-72.7°C (-98.9°F)
Ammonia (NH ₃)	-77.7°C (-107.9°F)
Carbon dioxide (CO ₂)	-78.5°C (-109.3°F)
Hydrogen Sulfide (H ₂ S)	-85.5°C (-121.9°F)
Nitrous Oxide (N ₂ O)	-90.9°C (-131.6°F)
Chlorine (Cl ₂)	-101.5°C (-150.7°F)

❖ Conclusions.

From the above topic we can understand that no instrument measures the actual ozone layer with 100% accuracy.

Dobson Spectrometer – This instrument measures the intensity of solar radiation coming from the sun which depends on atmospheric components (aerosols, gases, water vapour, etc.)

Ozone Sonde – This is a balloon-mounted instrument that goes into the upper atmosphere and takes electron pulses which can be affected by atmospheric components (aerosols, gases, watervapor, etc.)

Satellite – This instrument measures atmospheric components by comparing solar energy and backscattered energy. Backscattered radiation is the solar radiation scattered back towards the satellite by the particles present in the atmosphere. This is also affected by atmospheric components (aerosols, gases, water vapor, etc.).

Hence, no technique explains the ozone layer with 100% accuracy. And the ozone hole was discovered in 1985 by one of these techniques, Dobson Spectrometer. So the increased solar radiation in Antarctica depends on the specific conditions there (temperature, pressure, humidity etc.) and has no direct relation to the actual stratospheric ozone layer. I hope that helps you understand. If we have made any mistake, we apologize. Thank you.

WRITTEN PUBLIC COMMENTS SUBMITTED TO PCAST

**Written Comment to the President's Council of Advisors on Science and Technology: Building Trust
in the Science to Combat Malnourishment, Pandemics & Mistrust From the Perspective of A
National**